

Process industry pressure gauge

Model : P330 series

Model : P335 series

Spec. sheet no. PD03-01

Service intended

P330 and P335 series are designed for petroleum and chemical processing industries.



Nominal diameter

150 mm

Accuracy

±0.5 % of full scale (P335)

±1.0 % of full scale (P330)

Scale range (MPa, kPa, bar)

-0.1 ~ 0 to 0 ~ 200 MPa

Working pressure

Steady : 75 % of full scale

100 % of full scale (P335)

Over range protection : 130 % of full scale

Working temperature

Ambient : -40 ~ 65 °C

Fluid : Max. 200 °C

Temperature effect

Accuracy at temperature above and below the reference temperature (20 °C) will be effected by approximately ±0.4 % per 10 °C of full scale



Standard features

Pressure connection

Stainless steel (316SS)

Movement

Stainless steel

Element

Stainless steel (316SS)

<10 MPa : C type bourdon tube

≥10 MPa : Helical type bourdon tube

Dial

White aluminium with black graduations

Pointer

Black painted aluminium alloy

Case

Black painted aluminium alloy

Zero adjustment

Internal

Cover

Black painted aluminium alloy

Process connection

3/8", 1/2" PT, NPT and PF

Window

Safety glass

Certificates

ATEX Ex II GD c IIc TX

WISE[®]

I P330.P335_01

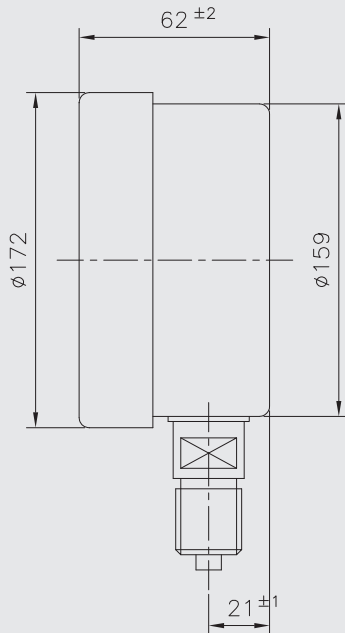
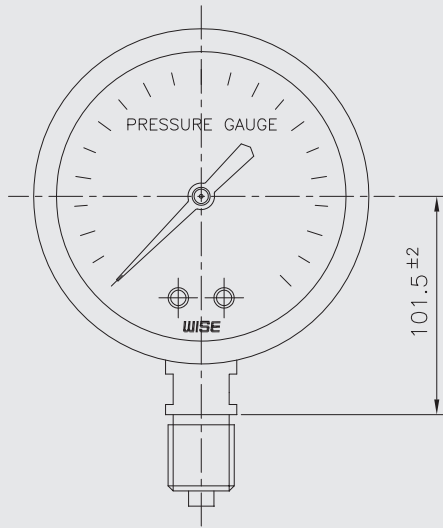
1. Base model**P330** Process industry pressure gauge**P335** Process industry pressure gauge (Test pressure gauge)**2. Nominal diameter (mm)****6** 150**3. Type of mounting****A** Bottom connection, direct**B** Bottom connection, surface, case mounting plate**4. Accuracy****2** ±0.5 % of full scale (P335)**3** ±1.0 % of full scale (P330)**5. Process connection****D** $\frac{3}{8}$ "**E** $\frac{1}{2}$ "**6. Connection type****B** PF**C** PT**D** NPT**7. Unit****H** bar**I** MPa**J** kPa**8. Range****XXX** Refer to pressure unit and range table**9. Pressure connection material and dial color****2** 316SS and 2 colors**4** 316L SS and 2 colors**7** 316SS and 3 colors**8** 316L SS and 3 colors**10. Option****0** None**1** Accessories**2** Orifice**3** Accessories and orifice

1	2	3	4	5	6	7	8	9	10
P330	6	A	3	E	D	H	XXX	4	0

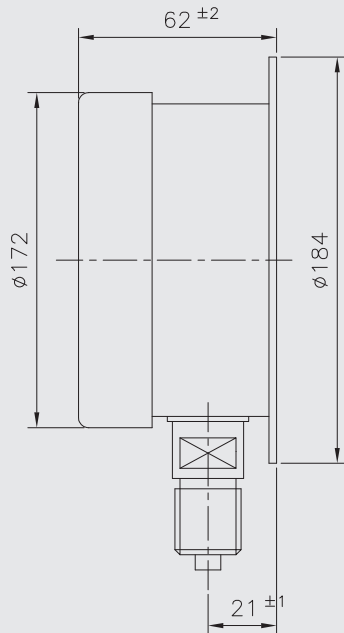
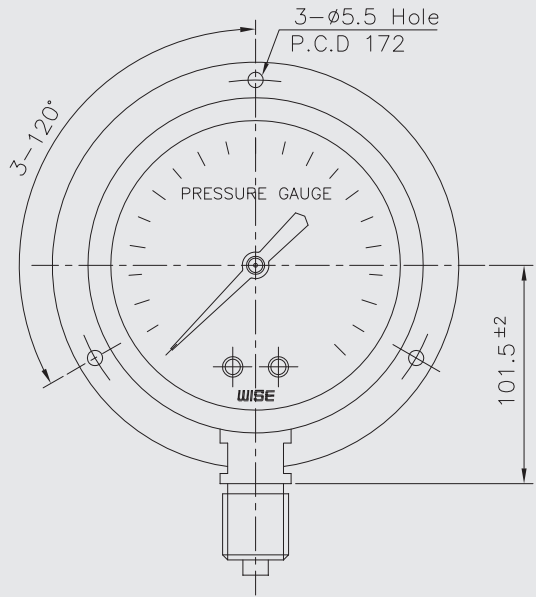
Sample
ordering code

P33X : Type of mounting

Code A



Code B



Pressure unit and range table

Range and code	Unit and code			Nominal diameter	
	H : bar	I : MPa	J : kPa	P330	P335
026	-1 ~ 0	-0.1 ~ 0	-100 ~ 0	O	O
041	0 ~ 1	0 ~ 0.1	0 ~ 100	O	O
133	0 ~ 1.6	0 ~ 0.16	0 ~ 160	O	O
042	0 ~ 2	0 ~ 0.2	0 ~ 200	O	O
134	0 ~ 2.5	0 ~ 0.25	0 ~ 250	O	O
043	0 ~ 3	0 ~ 0.3	0 ~ 300	O	O
044	0 ~ 4	0 ~ 0.4	0 ~ 400	O	O
045	0 ~ 6	0 ~ 0.6	0 ~ 600	O	O
047	0 ~ 10	0 ~ 1	0 ~ 1,000	O	O
050	0 ~ 15	0 ~ 1.5	X	O	O
143	0 ~ 16	0 ~ 1.6	X	O	O
051	0 ~ 20	0 ~ 2	X	O	O
052	0 ~ 25	0 ~ 2.5	X	O	O
054	0 ~ 35	0 ~ 3.5	X	O	O
151	0 ~ 40	0 ~ 4	X	O	O
055	0 ~ 50	0 ~ 5	X	O	O
056	0 ~ 60	0 ~ 6	X	O	O
057	0 ~ 70	0 ~ 7	X	O	O
058	0 ~ 100	0 ~ 10	X	O	O
059	0 ~ 150	0 ~ 15	X	O	O
060	0 ~ 160	0 ~ 16	X	O	O
062	0 ~ 250	0 ~ 25	X	O	O
064	0 ~ 350	0 ~ 35	X	O	O
065	0 ~ 400	0 ~ 40	X	O	O
066	0 ~ 500	0 ~ 50	X	O	O
067	0 ~ 600	0 ~ 60	X	O	O
068	0 ~ 700	0 ~ 70	X	O	O
070	0 ~ 1,000	0 ~ 100	X	O	O
074	0 ~ 1,600	0 ~ 160	X	O	O
075	0 ~ 2,000	0 ~ 200	X	O	O
027	-1 ~ 1	-0.1 ~ 0.1	-100 ~ 100	O	O
028	-1 ~ 2	-0.1 ~ 0.2	-100 ~ 200	O	O
029	-1 ~ 3	-0.1 ~ 0.3	-100 ~ 300	O	O
030	-1 ~ 4	-0.1 ~ 0.4	-100 ~ 400	O	O
010	-1 ~ 5	-0.1 ~ 0.5	-100 ~ 500	O	O
031	-1 ~ 6	-0.1 ~ 0.6	-100 ~ 600	O	O
014	-1 ~ 9	-0.1 ~ 0.9	-100 ~ 900	O	O
032	-1 ~ 10	-0.1 ~ 1	-100 ~ 1,000	O	O
033	-1 ~ 15	-0.1 ~ 1.5	-100 ~ 1.5 MPa	O	O
034	-1 ~ 20	-0.1 ~ 2	-100 ~ 2 MPa	O	O
035	-1 ~ 25	-0.1 ~ 2.5	-100 ~ 2.5 MPa	O	O

O : Available X : Not available