

Sanitary bimetal thermometer (3-A Marking)

Model : T123

Spec. sheet no. TD01-06

Service intended

Sanitary bimetal thermometer is used for measuring temperature of corrosive and contaminated materials. Its usage expands to food, beverage, biochemical and pharmaceutical industry.



Nominal diameter

75 and 100 mm

Accuracy

±2.0 % of full scale

Temperature element

Coiled bimetal

Working range

Maximum scale value



Standard features

Location of stem

Bottom connection, direct

Pointer

Black painted aluminium alloy

Case

304SS

Stem

6.0, 6.4 and 8.0 mm diameter
304SS, 316SS and 316L SS

Cover

304SS

Zero adjustment

Internal

Window

Glass

Stem, process connection

Tri-clamp
1S, 1½S, 2S

Dial

White aluminium with black graduations

Option

±1.0 % of full scale

1. Base model

T123 Sanitary bimetal thermometer (3-A marking)

2. Nominal diameter (mm)

- 3 75
- 4 100

3. Type of mounting

W Bottom connection, direct

4. Stem material

- 0 304SS
- 1 316SS
- 2 316L SS

5. Stem, process connection

- D 1S
- E 1½S
- F 2S

6. Stem connection type

T Tri-clamp

7. Stem outer diameter (mm)

- 0 6.0
- 1 6.4
- 2 8.0

8. Range

XXX Refer to scale range table

9. Insertion length

X Refer to insertion length table

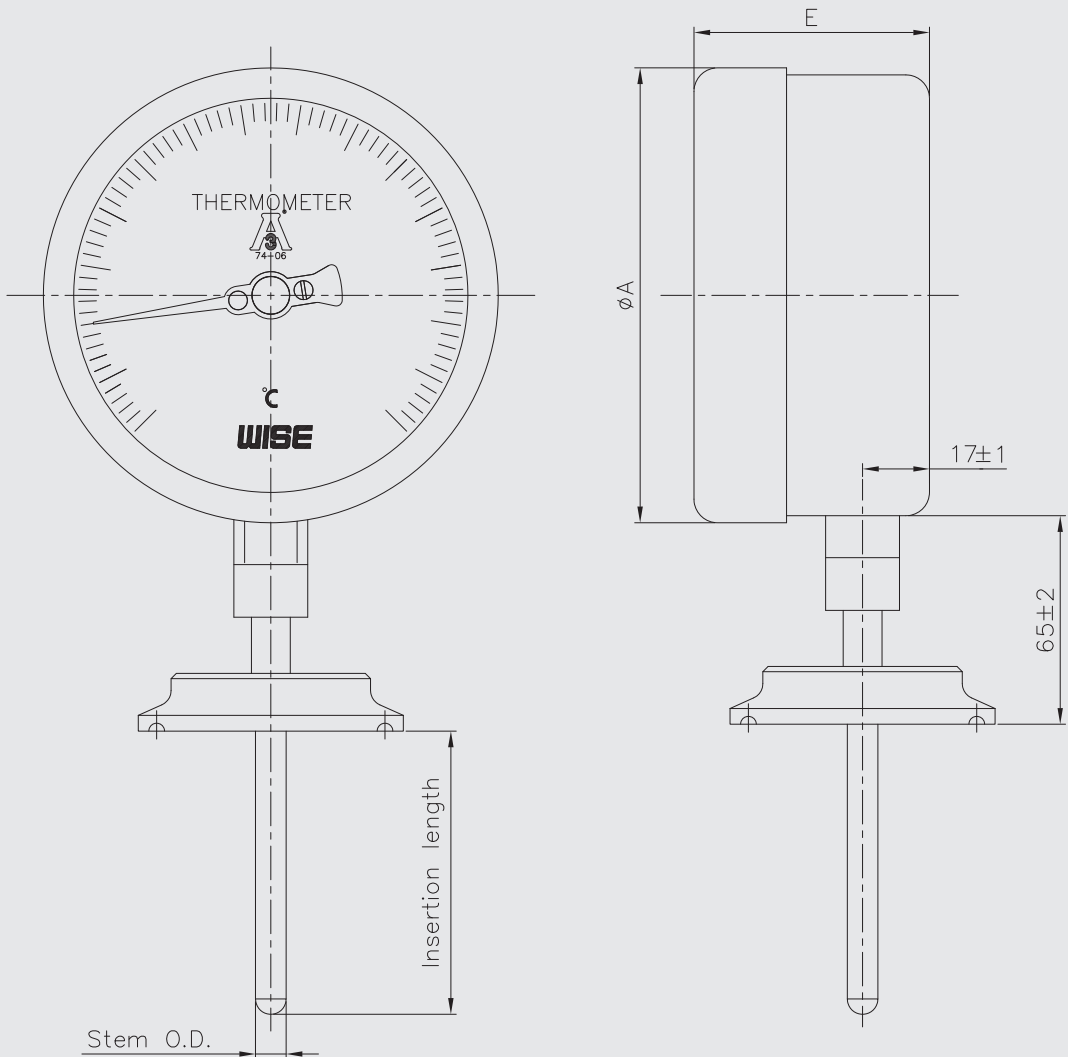
10. Accessories

- 0 None
- 1 Thermowell
- 2 Special accuracy (± 1.0 % of full scale)
- 3 Thermowell and special accuracy

| | | | | | | | | | |
|------|---|---|---|---|---|---|-----|---|----|
| 1 | 2 | 3 | 4 | 5 | 6 | 7 | 8 | 9 | 10 |
| T123 | 4 | W | 1 | F | T | 2 | XXX | X | 0 |

Sample
ordering code

T123 : Type of mounting



Dimensions (mm)

| Dial Size | A | E±2 |
|-----------|------|------|
| 75 | 86.5 | 43 |
| 100 | 111 | 50.5 |

Scale ranges

| Code | Scale range (°C) | Scale spacing (°C) | Minimum stem length (mm) | |
|------|---------------------|-----------------------|--------------------------|--------------|
| | | | 6.0 and 6.4 | 8.0 and 10.0 |
| 061 | -30 ~ 120 | 2 | 45 | 35 |
| 079 | -20 ~ 150 | 5 | 40 | 35 |
| 084 | -10 ~ 50 | 1 | 95 | 80 |
| 106 | 0 ~ 120 | 2 | 50 | 45 |
| 109 | 0 ~ 150 | 2 | 45 | 35 |
| 114 | 0 ~ 200 | 5 | 35 | 35 |
| 119 | 0 ~ 250 | 5 | 35 | 30 |
| 124 | 0 ~ 300 | 5 | 35 | 25 |
| 129 | 0 ~ 350 | 5 | 30 | 25 |
| 134 | 0 ~ 400 | 10 | 80 | 65 |
| 144 | 0 ~ 500 | 10 | 70 | 60 |
| 154 | 0 ~ 600 | 10 | 70 | 60 |

Insertion length

| Code | 1 | 2 | 3 | 4 | 5 | 6 | 7 | 8 | 9 | A | B | C |
|-------------|----|----|----|----|-----|-----|-----|-----|-----|-----|-----|-----|
| Length (mm) | 50 | 60 | 70 | 80 | 100 | 120 | 130 | 150 | 175 | 200 | 225 | 250 |

| Code | D | E | F | G | H | J | K | L | M | N | P |
|-------------|-----|-----|-----|-----|-----|-----|-----|-----|-------|-------|-------|
| Length (mm) | 275 | 300 | 350 | 375 | 400 | 450 | 500 | 550 | 1,000 | 1,500 | 2,000 |