

Heavy duty service pressure gauge

Model : P163 series

Spec. sheet no. PD01-06

Service intended

P163 series are designed to withstand the shock, the vibration, and the pulsation which could be generated from heavy duty services.



Nominal diameter

80 mm

Accuracy

±1.0 % of full scale

Scale range (MPa, kPa, bar)

-0.1 ~ 0 to 0 ~ 6 MPa

Working temperature

Ambient : -20 ~ 60 °C

Fluid : Max. 60 °C

Temperature effect

Accuracy at temperature above and below the reference temperature (20 °C) will be effected by approximately ±0.4 % per 10 °C of full scale



Standard features

Pressure connection

Brass

Movement

304SS

Dampers vibration and pulsation

Element

Brass

Dial

White aluminium with black graduations

Case

Bronze

Pointer

Black painted aluminium alloy

Cover

Black finished bronze

Process connection

1/8" PT, NPT and PF

1/4" PT, NPT and PF

3/8" PT, NPT and PF

M12 x 1.5

Window

Laminated safety glass

WISE[®]

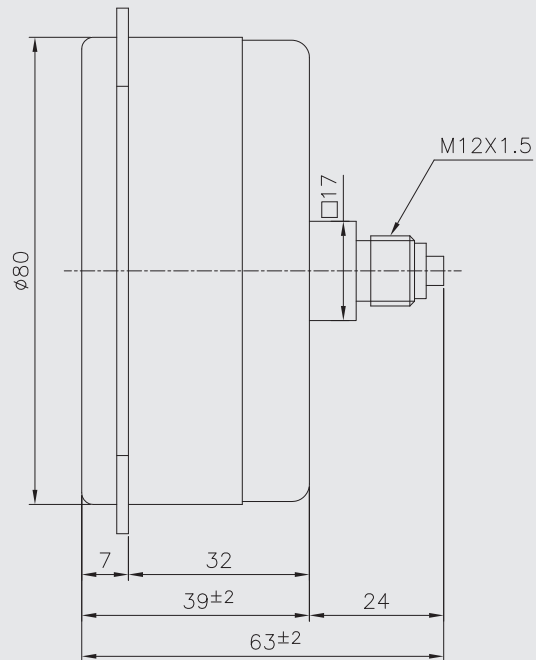
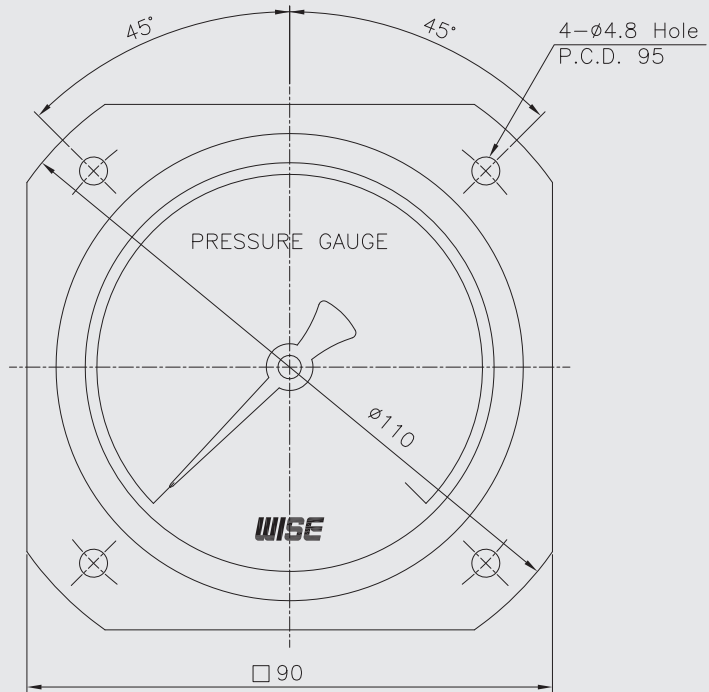
| P163_01

1. Base model**P163** Heavy duty service pressure gauge**2. Nominal diameter (mm)****3** 80**3. Type of mounting****J** Center back connection, flush, cover mounting plate**4. Accuracy****3** ±1.0 % of full scale**5. Process connection****B** 1/8"**C** 1/4"**D** 3/8"**Z** M12 x 1.5**6. Connection type****B** PF**C** PT**D** NPT**Z** Other**7. Unit****H** bar**I** MPa**J** kPa**8. Range****XXX** Refer to pressure unit and range table**9. Dial color****1** 2 colors**2** 3 colors**10. Option****0** None**1** Accessories

1	2	3	4	5	6	7	8	9	10
P163	3	J	3	C	D	H	XXX	2	0

Sample
ordering code

P163 : Type of mounting



Pressure unit and range table

Range and code	Unit and code			Nominal diameter
	H : bar	I : MPa	J : kPa	80 mm
134	0 ~ 2	0 ~ 0.2	0 ~ 200	O
043	0 ~ 3	0 ~ 0.3	0 ~ 300	O
044	0 ~ 4	0 ~ 0.4	0 ~ 400	O
045	0 ~ 6	0 ~ 0.6	0 ~ 600	O
047	0 ~ 10	0 ~ 1	0 ~ 1,000	O
050	0 ~ 15	0 ~ 1.5	X	O
143	0 ~ 16	0 ~ 1.6	X	O
051	0 ~ 20	0 ~ 2	X	O
052	0 ~ 25	0 ~ 2.5	X	O
054	0 ~ 35	0 ~ 3.5	X	O
055	0 ~ 50	0 ~ 5	X	O
056	0 ~ 60	0 ~ 6	X	O
029	-1 ~ 3	-0.1 ~ 0.3	-100 ~ 300	O
030	-1 ~ 4	-0.1 ~ 0.4	-100 ~ 400	O
010	-1 ~ 5	-0.1 ~ 0.5	-100 ~ 500	O
031	-1 ~ 6	-0.1 ~ 0.6	-100 ~ 600	O
032	-1 ~ 10	-0.1 ~ 1	-100 ~ 1,000	O
033	-1 ~ 15	-0.1 ~ 1.5	-100 ~ 1.5 MPa	O
034	-1 ~ 20	-0.1 ~ 2	-100 ~ 2 MPa	O

O : Available X : Not available