

Heavy duty service remote reading thermometer

Model : T263

Spec. sheet no. TD02-12

Service intended

This thermometer is designed to withstand the shock and vibration inherent in heavy duty services.

Nominal diameter

80 mm

Accuracy

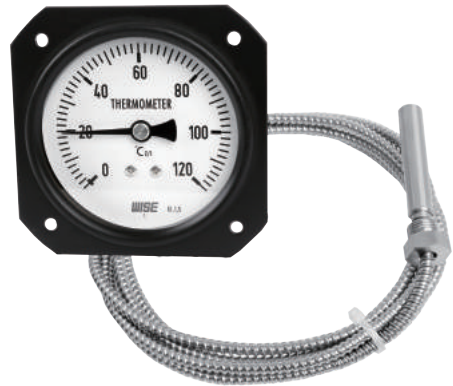
±1.5 % of full scale

Measuring system (SAMA class IIIB)

Organic gas : 0 ~ 200 °C

Working range

Maximum scale value



Standard features

Location of stem and mounting

Center back connection, flush, cover mounting

Case and cover

Black finished bronze

Capillary

Capillary : 1.6/0.2 mm, 316SS
Armored tube : 7.5/5.5 mm, 304SS

Window

Laminated safety glass

Dial

White aluminium with black graduation

Movement

Stainless steel
Damper vibration and pulsation

Pointer

Black painted aluminium alloy

Stem

8.0, 10.0 and 12.0 mm
316SS and 316L SS

Zero adjustment

Internal

Stem, process connection

3/8", 1/2", 3/4" PT, NPT and PF

Option

±1.0 % of full scale

Main order

Ordering information

1. Base model

T263 Heavy duty service remote reading thermometer

2. Nominal diameter (mm)

3 80

3. Type of mounting

L Center back connection, flush, cover mounting plate

4. Stem material

1 316SS

2 316L SS

5. Stem, process connection

A None

D 3/8"

E 1/2"

F 3/4"

6. Stem connection type (CF: Compression fitting)

A None

B PF

C PT

D NPT

E CF + PT

F CF + NPT

G CF + PF

H MT + PT (Movable thread)

I MT + NPT (Movable thread)

J MT + PF (Movable thread)

7. Stem outer diameter (mm)

2 8.0

3 10.0

4 12.0

8. Range

XXX Refer to scale range table

9. Capillary length (m)

P 2

Q 3

S 5

V 8

X 10

Z Other

10. Accessories

0 None

1 Thermowell

S Special accuracy (± 1.0 % of full scale)

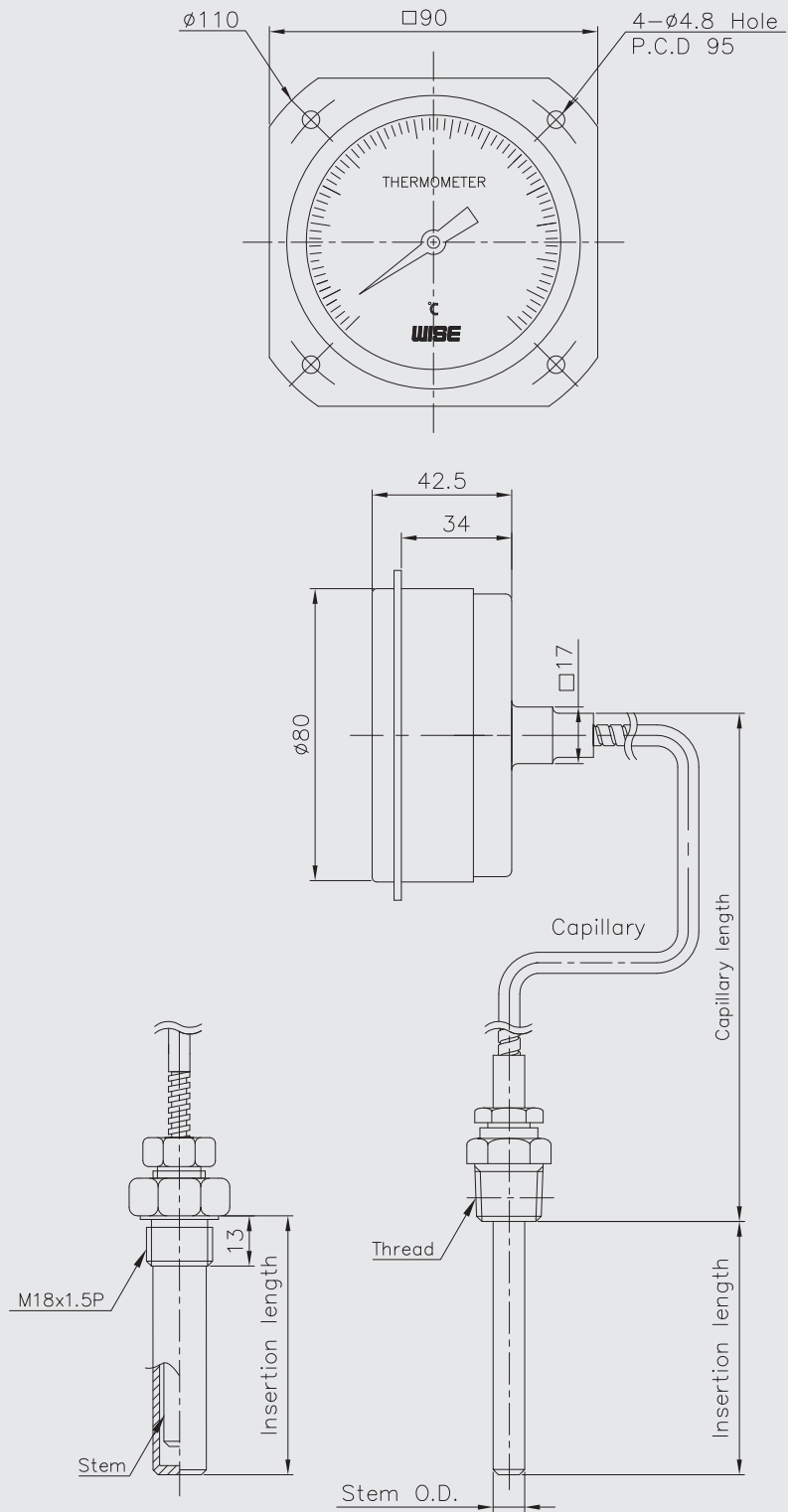
T Thermowell and special accuracy

1	2	3	4	5	6	7	8	9	10
T263	3	L	1	E	C	3	XXX	P	1

Sample
ordering code

WISE[®]

T263 : Type of mounting



Scale ranges

Code	Scale range (°C)	Scale spacing(°C)	Minimum stem length (mm)			Standard stem length (mm)		
			8.0	10.0	12.0	8.0	10.0	12.0
099	0 ~ 50	1	100	85	65	200	130	100
100	0 ~ 60	1	100	85	65	200	130	100
101	0 ~ 70	2	100	85	65	200	130	100
102	0 ~ 80	2	100	85	65	200	130	100
104	0 ~ 100	2	100	85	65	200	130	100
106	0 ~ 120	2	100	85	65	200	130	100
109	0 ~ 150	2	100	85	65	200	130	100
114	0 ~ 200	5	100	85	65	200	130	100

Insertion length

Code	1	2	3	4	5	6	7	8	9	A	B	C
Length (mm)	50	60	70	80	100	120	130	150	175	200	225	250

Code	D	E	F	G	H	J	K	L	M	N	P
Length (mm)	275	300	350	375	400	450	500	550	1,000	1,500	2,000