

Resistance temperature detector for room and refrigerator

Model : R430

Spec. sheet no. RD04-01

Service intended

Model R430 temperature sensor incorporates a built-in platinum resistance which is suitable for indoor and ducting area use. Its application expands to buildings, storage rooms, and HVAC systems, and it delivers accurate detection and indication of current temperature.

- High reliable Pt 100 Ω output.
- Quick response and little hysteresis.
- Small and compact design.
- Good appearance and easy installation.
- Low cost sensing element.



Standard features

Head

Aluminium casting

Shroud tube diameter and length

19 and 100 mm

Enclosure

Weatherproof : R430W

Explosion proof : R430E

Working temperature

-50 ~ 200 °C

Element

Pt 100 Ω at 0 °C, 316L SS

TCR : 3,850 ppm/k

Protecting tube and shroud tube material

304SS (Tube type)

316L SS (Sheath type)

Tolerances on temperature reading

Class A : $\pm (0.15 + 0.002 | t |)$

Class B : $\pm (0.3 + 0.005 | t |)$

Protecting tube outer diameter

8 mm (Standard)

WISE[®]

| R430_01

1. Base model**R430** RTD for room and refrigerator**2. Head type**

- W** Weatherproof
- E** Explosion proof

3. Element

- P** Pt 100 Ω (Tube type / B)
- Z** Pt 100 Ω (Sheath type / B)
- 8** Pt 100 Ω (Tube type / A)
- 9** Pt 100 Ω (Sheath type / A)

4. Tube material

- 0** 304SS, Tube type only
- 1** 316L SS, Sheath type only

5. Tube outer diameter (mm)

- F9** 6.4
- G9** 8.0

6. Conduit connection

- 1** ½" PF
- 2** ¾" PF

7. Mounting type

- Z** Surface mounting

8. Connection type

- AA** None

9. Tube length (mm)

- A** 100
- B** Other

10. Option

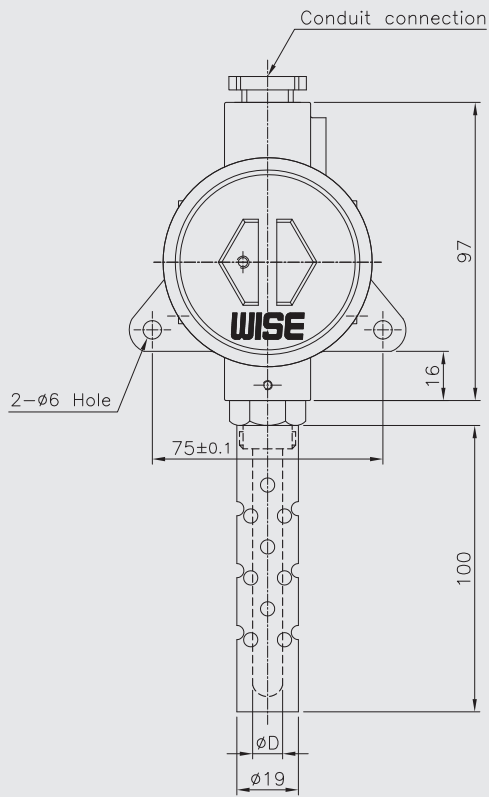
- 0** None

1	2	3	4	5	6	7	8	9	10
R430	W	P	0	G9	1	Z	AA	A	0

Sample
ordering code

R430 : Type of mounting

CODE W (Weatherproof)



CODE E (Explosion proof)

