

Glass thermometer

Model : T400

Spec. sheet no. TD04-01

Service intended

Glass thermometer is suitable to be used for temperature measurement in various industrial plants such as oil refinery, sugar factory, chemical industry, rubber plant and etc.

Form

Rectangular

Accuracy

±2.0 % of full scale

Measuring system

Liquid filled : 0 ~ 600 °C

Working range

Maximum scale value



Standard features

Location of stem

Bottom connection, direct, "I" type
Lower back connection, direct, "L" type

Stem

8.0, 10.0 and 12.0 mm
Brass, 316SS and 316L SS

Case

Aluminium alloy

Stem, process connection

3/8", 1/2" PT, NPT and PF, 22 mm

Stem connection type

Movable thread

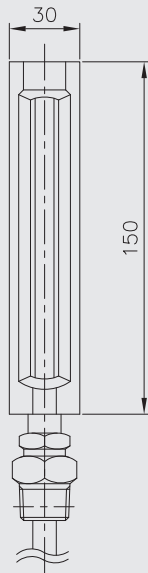
1. Base model**T400** Glass thermometer**2. Nominal diameter****9** Rectangular**3. Type of mounting****V** Bottom connection, direct, "I" type**W** Lower back connection, direct, "L" type**4. Stem material****0** Brass**1** 316SS**2** 316L SS**5. Stem, process connection****A** None**D** 3/8"**E** 1/2"**F** 3/4"**M** 22 mm, Only available with connection type MM (Standard)**6. Stem connection type (CF: Compression fitting)****A** None**E** CF + PT**F** CF + NPT**G** CF + PF**H** MT + PT (Movable thread)**I** MT + NPT (Movable thread)**J** MT + PF (Movable thread)**M** MM, only available with connection size 22 mm**7. Stem outer diameter (mm)****2** 8.0**3** 10.0 (Standard)**4** 12.0**Z** Other**8. Range****XXX** Refer to scale range table**9. Insertion length****X** Refer to insertion length table**10. Accessories****0** None**1** Thermowell

1	2	3	4	5	6	7	8	9	10
T400	9	V	0	E	C	3	XXX	X	1

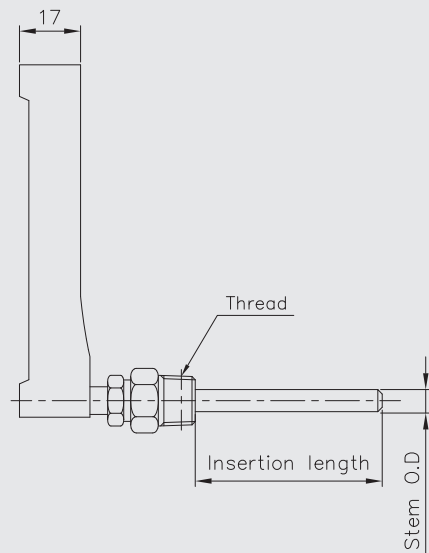
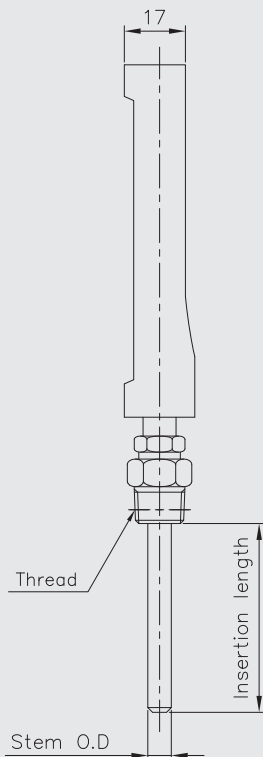
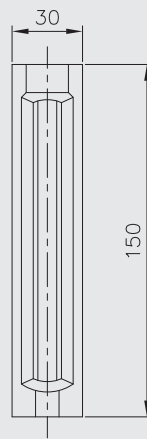
Sample
ordering code

T400 : Type of mounting

Code V



Code W



Scale ranges

Code	Scale range (°C)	Scale spacing (°C)	Minimum stem length (mm)		
			8.0	10.0	12.0
032	-50 ~ 50	2	30	30	50
037	-50 ~ 100	5	30	30	50
054	-30 ~ 50	2	30	30	50
059	-30 ~ 100	5	30	30	50
061	-30 ~ 120	2	30	30	50
069	-20 ~ 50	2	30	30	50
074	-20 ~ 100	2	30	30	50
079	-20 ~ 150	5	30	30	50
084	-10 ~ 50	1	30	30	50
099	0 ~ 50	1	30	30	50
100	0 ~ 60	1	30	30	50
101	0 ~ 70	2	30	30	50
102	0 ~ 80	1	30	30	50
104	0 ~ 100	2	30	30	50
106	0 ~ 120	2	30	30	50
109	0 ~ 150	2	30	30	50
114	0 ~ 200	5	30	30	50
119	0 ~ 250	5	30	30	50
124	0 ~ 300	5	30	30	50
129	0 ~ 350	5	30	30	50
134	0 ~ 400	5	30	30	50
144	0 ~ 500	10	30	30	50
154	0 ~ 600	10	100	45	50

Insertion length

Code	1	2	3	4	5	6	7	8	9	A	B	C
Length (mm)	50	60	70	80	100	120	130	150	175	200	225	250

Code	D	E	F	G	H	J	K	L	M	N	P
Length (mm)	275	300	350	375	400	450	500	550	1,000	1,500	2,000