

Flow switch and sight flowmeter

Model : F850

Spec. sheet no. FD08-22

Description

It is flapper type sight glass and available for measuring flow rate through the both sides.
It is suitable for direct visual inspection of liquid.



Specification

Process connection

Flanged
Screwed

Pressure rating

STD. 10 kgf/cm²
Max. 60 kgf/cm²

Size

10A ~ 300A
350A ~ 500A

Temperature rating

STD. 120 °C
Max. 300 °C

Material

304SS
316SS
316L SS

Accuracy

±5.0 % of full scale

WISE[®]

| F850_01

1. Base model**F850** Flow switch and sight flowmeter**2. Flow direction type**

D1 Bottom and top
D5 Side and side
D6 Top and bottom

3. Line size

JIS	mm	ANSI	inch	DIN	mm
J015	15A	A001	½B	D015	15A
J020	20A	A002	¾B	D020	20A
J025	25A	A003	1B	D025	25A
J040	40A	A004	1½B	D040	40A
J050	50A	A005	2B	D050	50A
J065	65A	A006	2½B	D065	65A
J080	80A	A007	3B	D080	80A
J100	100A	A008	4B	D100	100A
J125	125A	A009	5B	D125	125A
J150	150A	A010	6B	D150	150A
J200	200A	A011	8B	D200	200A
J250	250A	A012	10B	D250	250A
J300	300A	A013	12B	D300	300A
XXXX	Other				

4. Screw type

T001 ½" (15A)
T002 ¾" (20A)
T003 1" (25A)
T004 1½" (40A)
T005 2" (50A)

5. Flange rating and connection type

J010 JIS 10K
A010 ANSI 150 Lb
P010 PN10
TPTM PT male
TPTF PT female
TNTM NPT male
TNTF NPT female
XXXX Other

6. Main material (See material table)

B Body material / 304SS
C Body material / 316SS
D Body material / 316L SS
O Other

7. Packing material

E EPDM
T Teflon
N NBR
V Viton
O Other

1	2	3	4	5	6	7	Sample ordering code
F850	D1	J015	T003	J010	D	N	

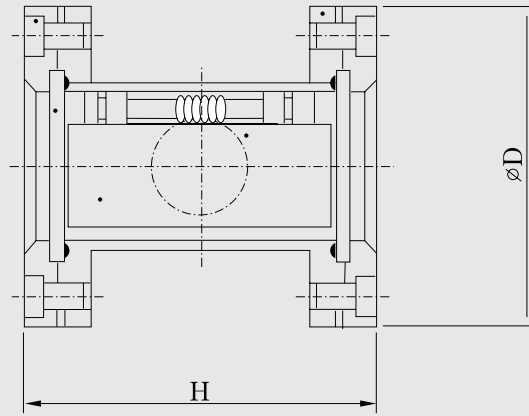
Flow chart

Size		Measuring ranges		"L" Dimension (mm)	
		Water (m ³ /h)	Air (Nm ³ /h)	Flange type	Screw type
15A	½B	0.1 ~ 0.5 0.4 ~ 2	6 ~ 30 12 ~ 60	220	150
20A	¾B	0.1 ~ 0.5 0.4 ~ 2	6 ~ 30 12 ~ 60	220	160
25A	1B	0.2 ~ 1 1 ~ 5	12 ~ 60 30 ~ 150	220	180
32A	1¼B	0.2 ~ 1 1 ~ 5	12 ~ 60 30 ~ 150	220	200
40A	1½B	0.4 ~ 2 2 ~ 10	16 ~ 80 30 ~ 300	220	200
50A	2B	0.6 ~ 3 3 ~ 15	20 ~ 100 90 ~ 450	220	220
65A	2½B	1.2 ~ 6 6 ~ 30	60 ~ 300 180 ~ 900	260	220
80A	3B	1.6 ~ 8 8 ~ 40	120 ~ 600 240 ~ 1,200	300	
100A	4B	3 ~ 15 16 ~ 80	180 ~ 900 400 ~ 2,000	330	
125A	5B	4 ~ 20 20 ~ 100	200 ~ 1,000 600 ~ 3,000	380	
150A	6B	6 ~ 30 30 ~ 150	240 ~ 1,200 900 ~ 4,500	480	
200A	8B	12 ~ 60 60 ~ 300	300 ~ 1,500 1,800 ~ 9,000	650	
250A	10B	16 ~ 80 80 ~ 400	600 ~ 3,000 2,400 ~ 12,000	680	
300A	12B	20 ~ 100 100 ~ 500	900 ~ 4,500 3,000 ~ 15,000	720	

* When the size is larger than 65A, to be consulted with a maker

Material table

Part list	Material code		
	B	C	D
Cover	304SS	316SS	316L SS
Packing	NBR, EPDM, Viton, Teflon		
Body	304SS	316SS	316L SS
Shaft	304SS	316SS	316L SS
Spring	304SS	316SS	316L SS
Stopper	304SS	316SS	316L SS
Flapper	304SS	316SS	316L SS
Sight glass	Tempered, pyrex		



SECTION B-B

