

Instrument valve

Model : A080

Spec. sheet no. AD00-08

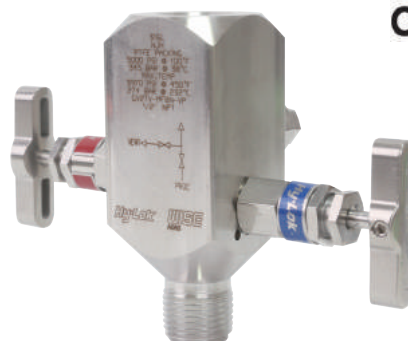
Service intended

It is used for switching flow between one common connection and the other two connections. It can be used with pressure gauge and pressure transmitter.

Standard features

Max. static pressure up to 41 MPa
 Max. working temperature : 232 °C
 Packing : PTFE (-54 ~ 232 °C)
 Graphite : -54 ~ 648 °C

※ This product's Max. working temperature could be varied depending on its working pressure and temperature.



CRN

Main order

Ordering information

1. Base model

A080 Instrument valve

2. Valve type

- S** Isolation valve
- V** 2-way manifold valve mount type
- W** 2 way manifold valve

3. Gauge connection type

- W** NPT (F)
- M** NPT (M)
- Z** Other

4. Gauge connection size

- 2** 1/4"
- 4** 1/2"
- 5** 3/4"
- 9** Other

5. Process connection type

- W** NPT (F)
- M** NPT (M)
- Z** Other

6. Process connection size

- 2** 1/4"
- 4** 1/2"
- 5** 3/4"
- 9** Other

7. Packing material

- T** PTFE
- G** Graphite
- Z** Other

8. Bleed and plug

- A** None
- B** Bleed
- C** Bleed with plug
- 9** Other

9. Bleed and plug size

- 1** 1/4" NPT (F)
- 2** 1/2" NPT (F)
- 3** No bleed
- Z** Other

10. Material

- | | |
|----------------------|------------------|
| B Hastelloy-C | J Monel |
| H 316SS | Z Inconel |
| L 316L SS | T Other |

11. Unused character

- X** All T bar

12. Unused character

- 1** None

Sample ordering code

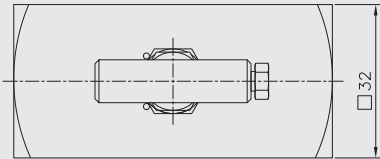
1	2	3	4	5	6	7	8	9	10	11	12
A080	S	W	2	W	2	T	A	1	B	X	1

WISE[®]

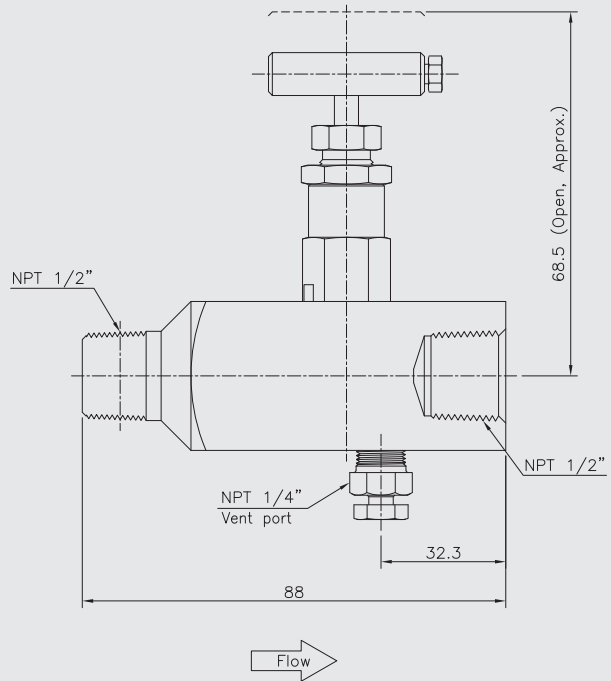
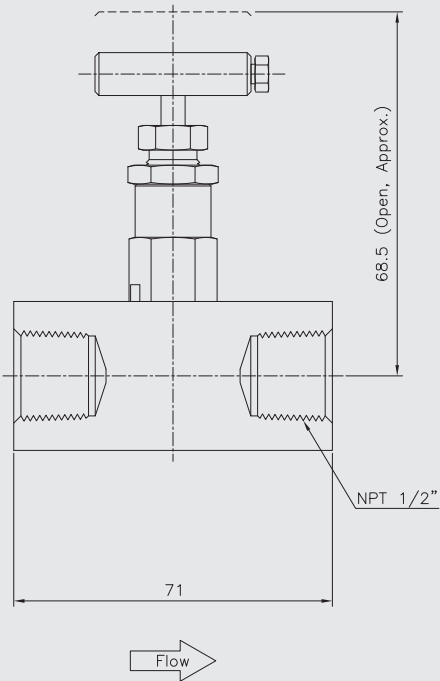
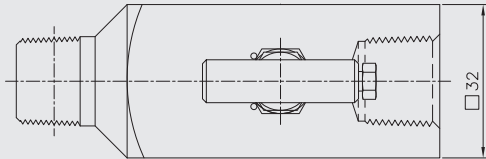
I A080SW_01

A080 : Type of mounting (1/2)

Code S

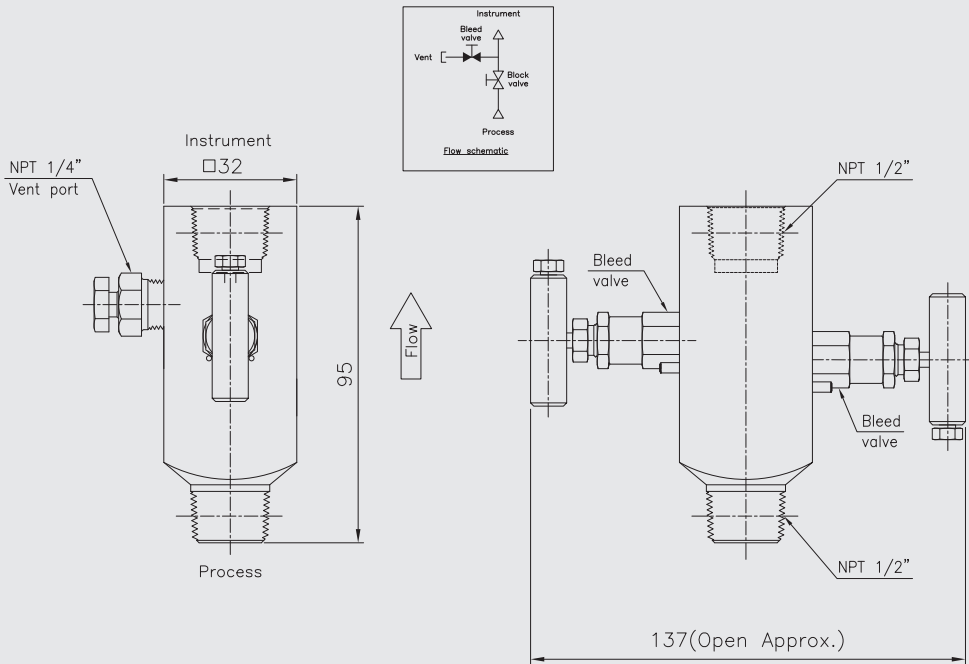


Code S

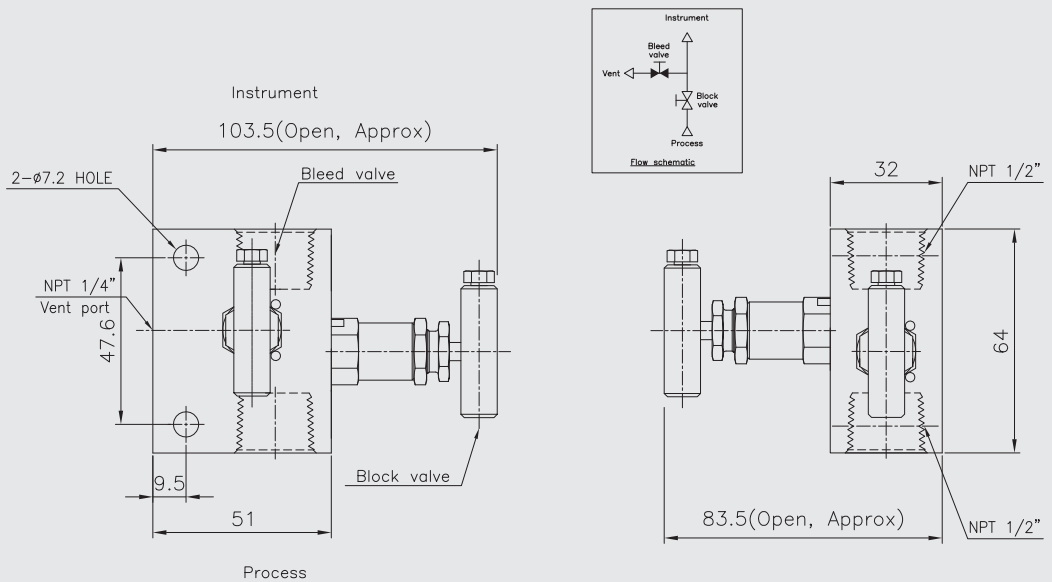


A080 : Type of mounting (2/2)

Code W



Code V



A large empty rectangular box with a thin black border, intended for writing a memo.

Instrument manifold valve

Model : A080

Spec. sheet no. AD00-09

Service intended

It is used for switching flow between one common connection and the other two connections.
The instrument manifold valve is applied to a differential pressure gauge and a differential pressure transmitter.

CRN

Standard features

Max. static pressure up to 41 MPa
Max. working temperature : 240 °C
Packing : PTFE (-54 ~ 232 °C)
Graphite : -54 ~ 648 °C



※ This product's Max. working temperature could be varied depending on its working pressure and temperature.

Main order

Ordering information

1. Base model

A080 Instrument manifold valve

2. Manifold type

T 3 way
F 5 way

3. Mounting type

1 3 or 5 way remote mounting pipe to pipe
2 3 or 5 way remote mounting pipe to pipe w/vent port
3 3 or 5 way direct mounting pipe to flange
4 3 or 5 way direct mounting pipe to flange w/vent port
5 3 way direct mounting pipe to flange, tee section
6 3 or 5 way direct mounting flange to flange
Z Other

4. Material

B 316SS
C 316L SS
D Monel
E Inconel
Z Other

5. Packing material

2 PTFE
4 Graphite

6. Connection

1 1/4" NPT
2 1/2" NPT
Z Other

7. Handle

1 T bar
9 Other

8. Unused character

A0000 None

1	2	3	4	5	6	7	8
A080	T	1	B	2	1	1	A0000

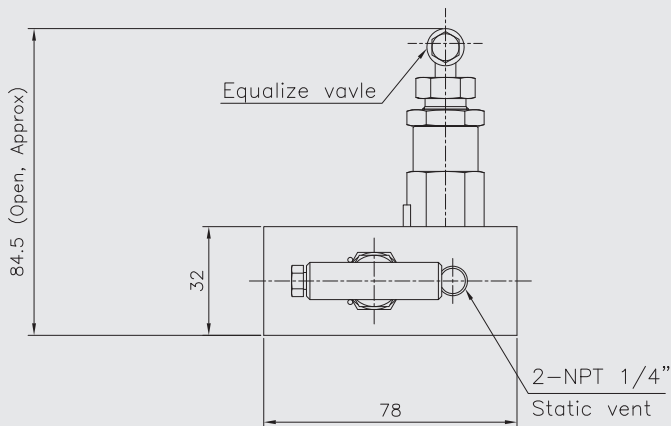
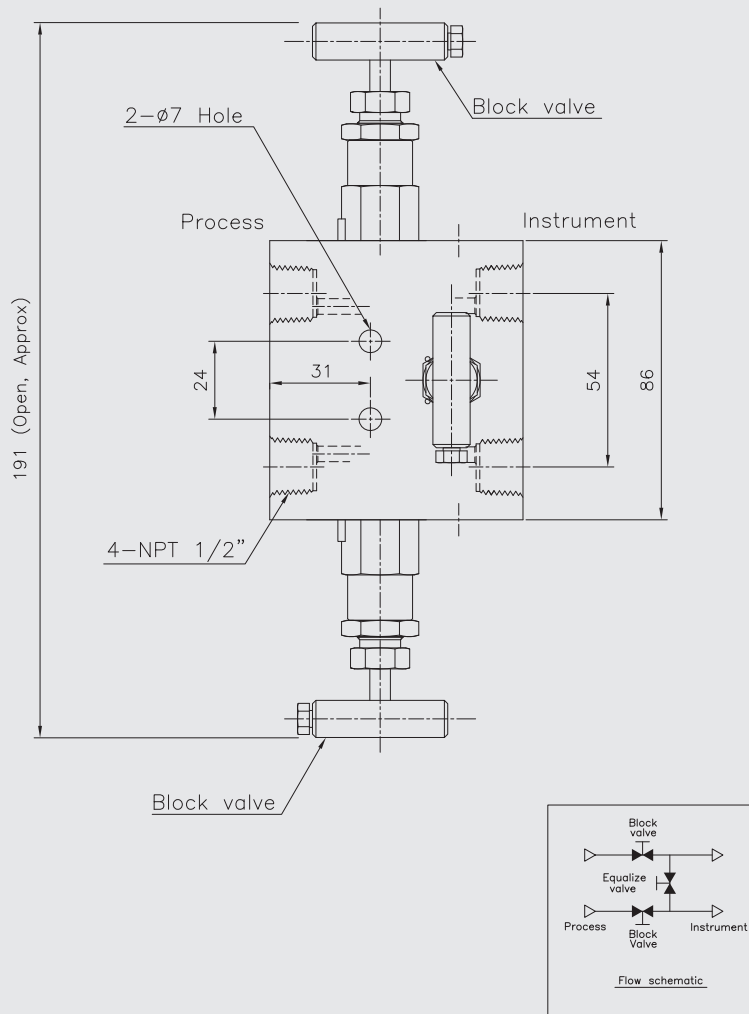
Sample ordering code

WISE[®]

I A080TF_01

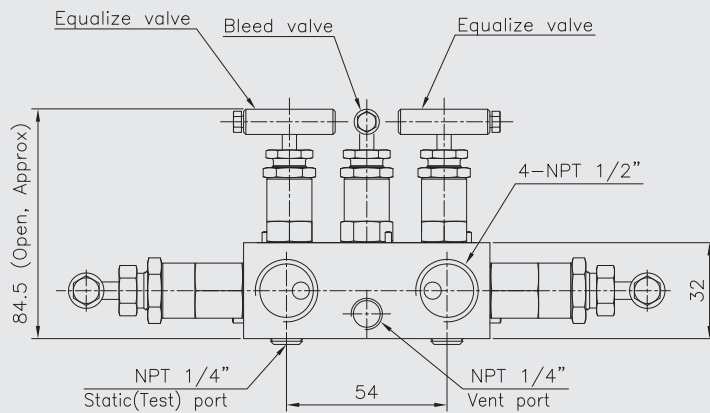
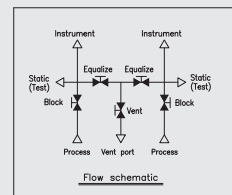
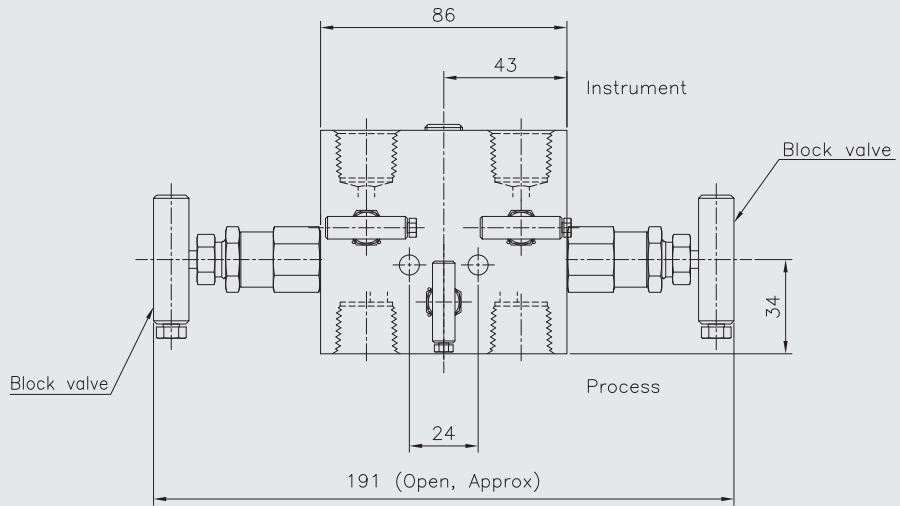
A080 : Type of mounting (1/2)

Code T1/T2



A080 : Type of mounting (2/2)

Code F2



Conversion table

Pressure conversion chart

psi	atm	kgf/cm ²	inH ₂ O	mmHg	inHg	kPa	bar	mmH ₂ O
1	0.068046	0.070307	27.7276	51.715	2.03602	6.835	0.06895	704.28104
14.696	1	1.0332	407.484	760	29.921	101.325	1.01325	10350.0936
14.2233	0.96784	1	394.38	735.559	28.959	98.096	0.98067	10,000
0.036092	0.002454	0.00253	1	1.8651	0.07343	0.249	0.00249	25.4
0.019336	0.001315	0.001359	0.53616	1	0.03937	0.1333	0.001333	13.618464
0.491154	0.0033421	0.03453	13.6185	25.4	1	3.3864	0.033864	345.9099
0.145	0.00987	0.010197	4.0186	7.5006	0.2953	1	0.01	102.07244
14.5038	0.98692	1.01972	402.156	750.062	29.53	100	1	10214.7624
0.00142	0.000097	0.0001	0.03937	0.0734	0.0029	0.0098	0.000098	1

Memo