

# Chart recorder

## Model: P930 series

Spec. sheet no. PD09-03

### Service intended

P930 series pressure recorder provides a single or dual pen 200 mm circular chart recorder for measurement. It is suitable for hazardous environment such as gas or chemical process lines.

EAC

### Nominal diameter

246 (W) X 271 mm (H)

### Accuracy

±2.0 % of full scale

### Scale range (MPa, kPa, bar)

Pressure : 0 ~ 5 kPa to 0 ~ 100 MPa

### Working pressure

Steady pressure : 75 % of full scale  
Over range protection : 130 % of full scale

### Working temperature

Ambient : -40 ~ 65 °C  
Fluid : Max. 200 °C



## Standard features

### Pressure connection

Stainless steel (316SS)

### Element

Bourdon tube : Stainless steel (316SS)  
Bellows : Brass

### Case and cover

ALDC 12.1  
Hinged door

### Window

Acrylic resin

### Movement

Brass

### Chart drive

1. Spring wound type : 24, 168 (7 day) hours rotation
2. Battery type : 30 min, 96 min, 1, 2, 4, 6, 8, 12 hours and 1, 2, 7, 8, 14, 16, 31, 32 days selectable for portable type

### Chart paper

200 mm circular

### Mounting

Surface mounting and portable type

### Process connection

3/8", 1/2" PT, NPT and PF

**WISE**<sup>®</sup>

I P930\_01

**1. Base model**

- P931** Chart recorder (Surface mounting, one pen type)  
**P932** Chart recorder (Surface mounting, two pen type)  
**P933** Chart recorder (Portable, one pen type)  
**P934** Chart recorder (Portable, two pen type)

**2. Sensor type**

- 8** Temperature and pressure  
**9** Pressure

**3. Type of mounting**

- B** Bottom entry and surface mounting plate

**4. Accuracy**

- 5** ±2.0 % of full scale

**5. Process connection**

- D** ¾"  
**E** ½"

**6. Connection type**

- B** PF  
**C** PT  
**D** NPT

**7. Unit**

- H** bar  
**I** MPa  
**J** kPa  
**Z** Other

**8. Range**

- XXX** Refer to pressure range table

**9. Pressure connection material**

- 3** 316SS

**10. Option**

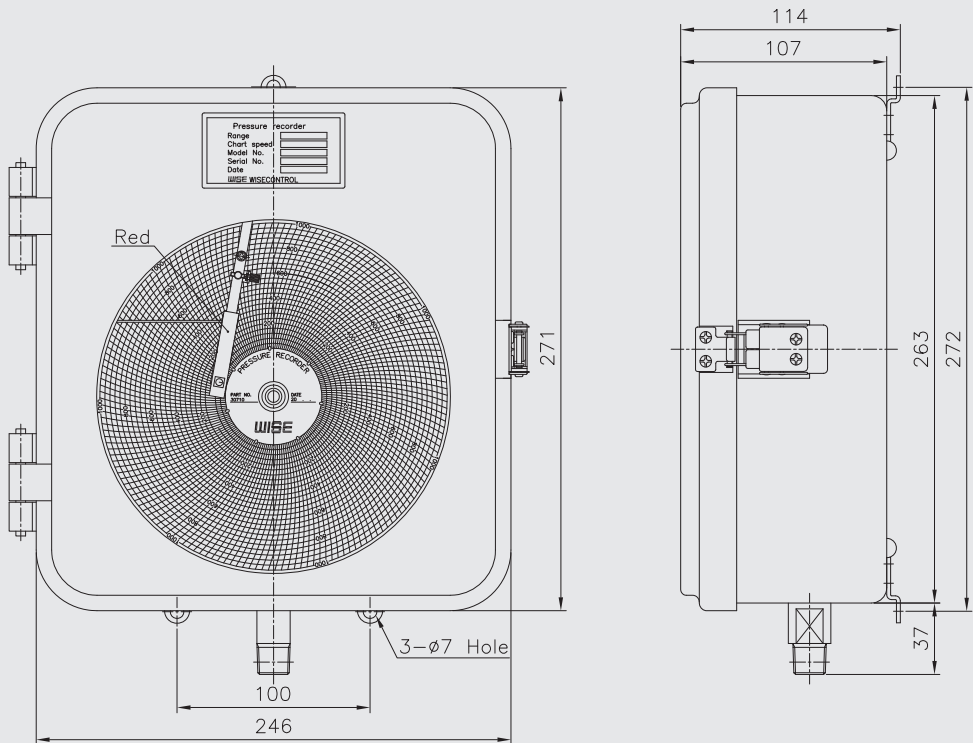
- 0** None  
**1** Accessories  
**2** Temperature sensor

1	2	3	4	5	6	7	8	9	10
P931	8	B	5	D	B	H	XXX	3	0

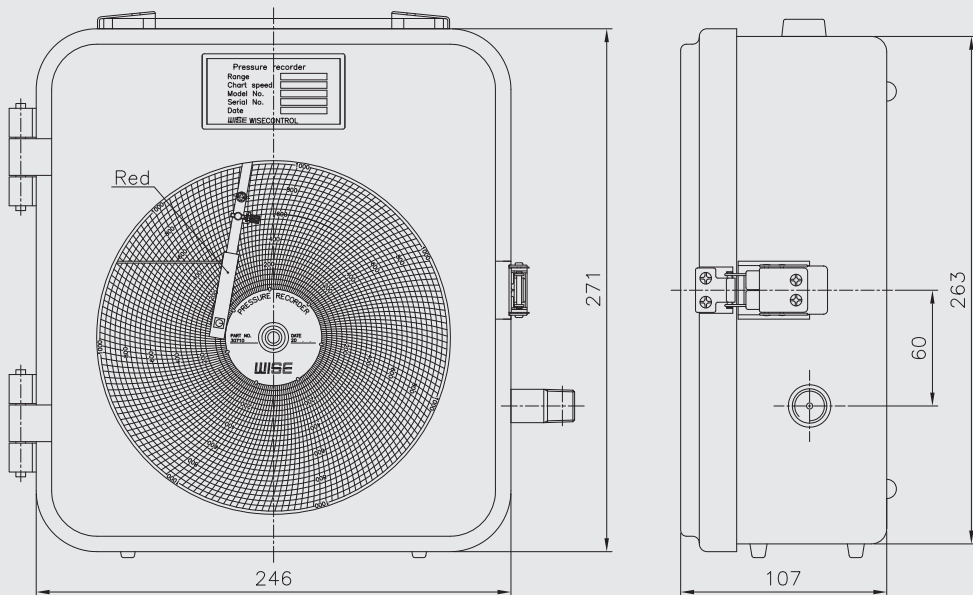
Sample  
ordering code

## P93X : Type of mounting (1/3)

Code P931

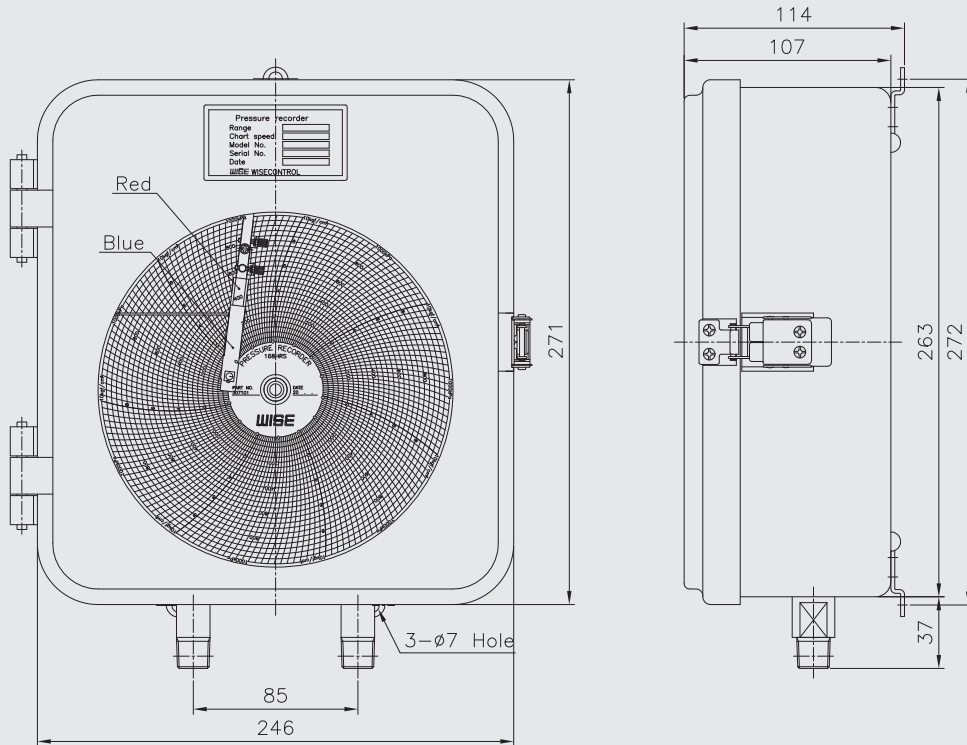


Code 933 (Portable type)

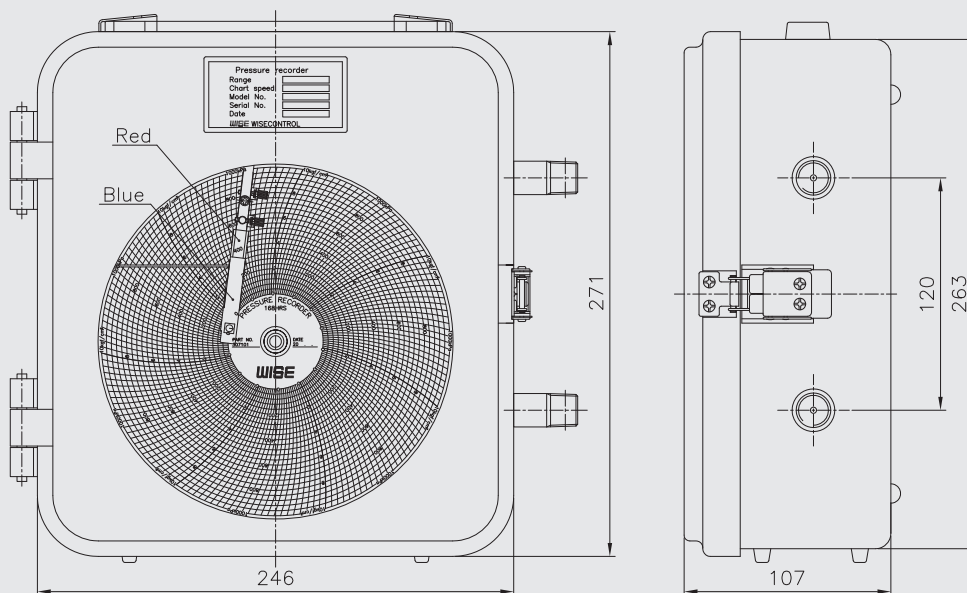


## P93X : Type of mounting (2/3)

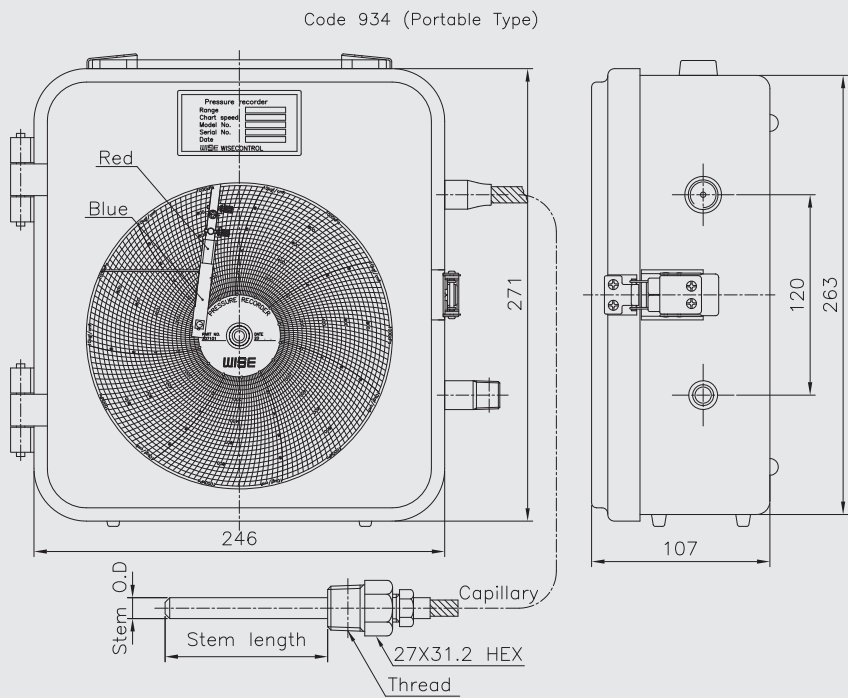
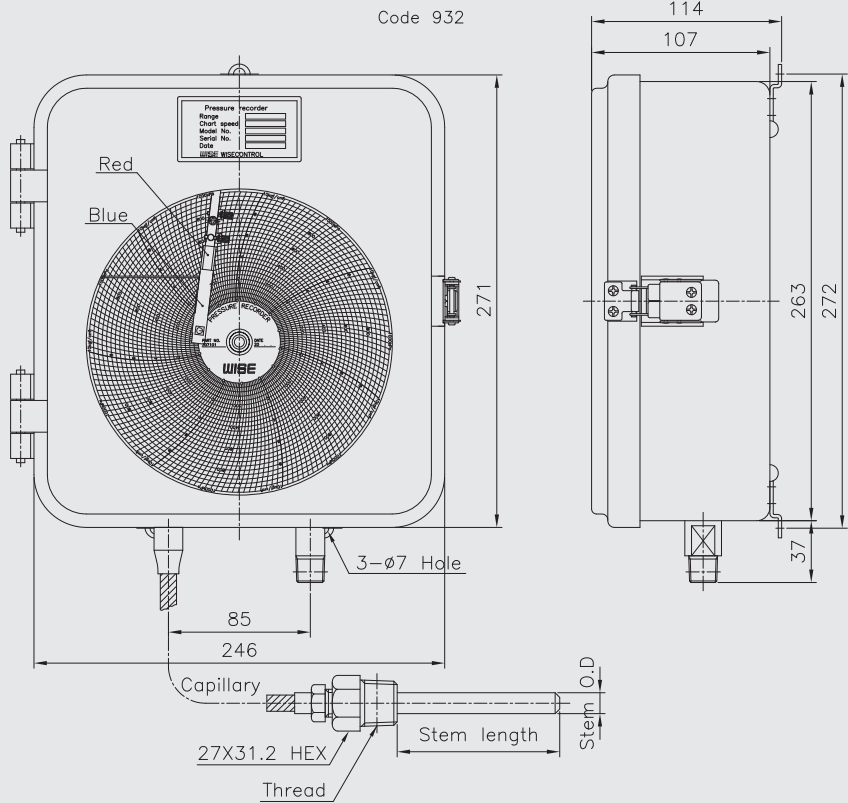
Code 932



Code 934 (Portable type)



## P93X : Type of mounting (3/3)



## Pressure range table

Scale	P931	P932	P933	P934	Order code
0 ~ 5 kPa	X	Refer to under table	O	Refer to under table	465
0 ~ 10 kPa	X		O		469
0 ~ 50 kPa	O		O		040
0 ~ 0.1 MPa	O		O		041
0 ~ 0.2 MPa	O		O		042
0 ~ 0.5 MPa	O		O		136
0 ~ 1 MPa	O		O		047
0 ~ 1.5 MPa	O		O		050
0 ~ 2 MPa	O		O		051
0 ~ 2.5 MPa	O		O		052
0 ~ 3.5 MPa	O		O		054
0 ~ 5 MPa	O		O		055
0 ~ 7 MPa	O		O		057
0 ~ 10 MPa	O		O		058
0 ~ 15 MPa	O		O		059
0 ~ 16 MPa	O		O		060
0 ~ 25 MPa	O		O		062
0 ~ 35 MPa	O		O		064
0 ~ 40 MPa	O		O		065
0 ~ 50 MPa	O		O		066
0 ~ 60 MPa	O	O	067		
0 ~ 70 MPa	O	O	068		
0 ~ 100 MPa	O	O	070		
0 ~ 160 MPa	O	O	074		
0 ~ 200 MPa	O	O	075		

O : Available X : Not available

Scale (2 pen) type - P932, P934		Code
Higher	Lower	
0 ~ 0.1 MPa	0 ~ 10 kPa	201
0 ~ 1 MPa	0 ~ 5 kPa	202
0 ~ 1 MPa	0 ~ 10 kPa	203
0 ~ 1 MPa	0 ~ 0.1 MPa	204
0 ~ 1.5 MPa	0 ~ 5 kPa	205
0 ~ 1.5 MPa	0 ~ 10 kPa	206
0 ~ 1.5 MPa	0 ~ 0.1 MPa	207

## Pressure range table

### Ordering chart paper

Range	Order code	Range		Order code
0 ~ 5kPa	3071010380	0 ~ 25 MPa		3071011780
0 ~ 10 kPa	3071010390	0 ~ 35 MPa		3071012370
0 ~ 50 kPa	3071011740	0 ~ 40 MPa		3071012820
0 ~ 0.1 MPa	3071010020	0 ~ 50 MPa		3071011850
0 ~ 0.2 MPa	3071012260	0 ~ 60 MPa		3071013250
0 ~ 0.5 MPa	3071012060	0 ~ 70 MPa		3071011470
0 ~ 1 MPa	3071012080	0 ~ 100 MPa		3071011270
0 ~ 1.5 MPa	3071011480	0 ~ 160 MPa		3071013090
0 ~ 2 MPa	3071011770	0 ~ 200 MPa		3071013100
0 ~ 2.5 MPa	3071012090	0 ~ 0.1 MPa	0 ~ 10 kPa	3071010540
0 ~ 3.5 MPa	3071011690	0 ~ 1 MPa	0 ~ 5 kPa	3071010550
0 ~ 5 MPa	3071012100	0 ~ 1 MPa	0 ~ 10 kPa	3071010560
0 ~ 7 MPa	3071012110	0 ~ 1 MPa	0 ~ 0.1 MPa	3071010570
0 ~ 10 MPa	3071012120	0 ~ 1.5 MPa	0 ~ 5 kPa	3071010580
0 ~ 15 MPa	3071012130	0 ~ 1.5 MPa	0 ~ 10 kPa	3071010590
0 ~ 16 MPa	3071012360	0 ~ 1.5 MPa	0 ~ 0.1 MPa	3071010600

### Ordering pen

Pen description	Order code	Pen description	Order code
Red color (short pen)	3069040070	Blue color (Long pen)	3069040090

### Ordering clock

Clock description	Order code	Clock description	Order code
168 (7 days) hours (P931, P932)	3102040020	Portable (Battery) type (P933.P934)	3102040030