

1 ISOLATED OUTPUTS CONVERTER

■ FEATURE

- 1 Isolated output
- Actualization of high accuracy
- AC110V, AC220V, DC24V Power supply
- CE Approved

DP - SERIES



Contents

	ITEMS		MODEL	PAGE
1	SIGNAL ISOLATOR & POWER DISTRIBUTOR	信號絕緣 變換器 & 傳送器用 電源	DPIP	12
2	R.T.D CONVERTER	測溫抵抗體 變換器	DPRB	13
3	THERMOCOUPLE CONVERTER	熱電對 變換器	DPTC	14
4	POTENTIOMETER CONVERTER	可變抵抗 變換器	DPPC	15
5	SIGNAL ISOLATOR	信號絕緣 變換器	DPSI	16
6	HIGH SPEED ISOLATOR	高速 信號絕緣 變換器	DPHI	17
7	REVERSE CONVERTER	逆信號 變換器	DPRC	18
8	STRAIN GAUGE CONVERTER	Strain gauge 變換器	DPLS	19
9	TACHOGENERATOR CONVERTER	回轉數 變換器	DPTG	20
10	HIGH/LOW SELECTOR	信號 選擇器	DPHL	21
11	SIGNAL LIMITER	信號 制限器	DPSL	22
12	ADDER & SUBTRACTOR	加減 演算器	DPAS	23
13	PEAK HOLDER	最高值檢出器	DPPH	24
14	AC VOLTAGE TRANSDUCER	交流電壓 變換器	DPPT	25
15	AC CURRENT TRANSDUCER	交流電流 變換器	DPCT	26
16	ANALOG TO PULSE CONVERTER	直流/Pulse 變換器	DPAP	27
17	PULSE TO ANALOG CONVERTER	Pulse/直流 變換器	DPPA	28
18	PULSE TO PULSE ISOLATOR	Pulse/ Pulse 絕緣 變換器	DPPI	29
19	POWER DISTRIBUTOR	傳送器用 電源(非絕緣)	DPPD	30
20	POWER DISTRIBUTOR WITH SQUARE ROOT EXTRACTOR	傳送器用 電源(√)	DPPQ	31
21	ISOLATED LOOP POWER TRANSMITTER	2線式 信號變換器	DPLP	32

General Specifications

SIGNAL ISOLATOR & POWER DISTRIBUTOR

1出力 信號絶縁 變換器 & 傳送器用 電源



CE

This instrument is a high accurate converter that provides simultaneously all transmitters such as pressure transmitter, flow transmitter, and level transmitter with power supply and signal conversion. Also, it contains overcurrent and overvoltage protection circuit inside. It is totally isolated between input signal from transmitter and output signal of a converter so it does not need extra isolator when the loop is constructed.

In the mounting method is PLUG-IN mounting.

SPECIFICATIONS

ITEMS	DESCRIPTIONS
OUTPUT RATING SUPPLY TO X'TR	DC 24V 30mA Max, Ripple : less than 0.1Vp-p
OUTPUT	DC Current or DC Voltage signal
ACCURACY	±0.1% Max.
TEMP. COEFFICIENT	±0.015% / °C
RESPONSE TIME	Less than 0.5Sec (0~90%)
INSULATION RESISTANCE	Greater than 100MΩ at DC 500V
DIELECTRIC - STRENGTH	Input - Power AC 1,500V
	Input - Output I AC 1,500V 1 Minute
POWER SUPPLY	AC 110/220V ± 10%, 50/60Hz
	ISOLATOR : 3.5VA POWER DISTRIBUTOR : 4VA
AMBIENT - TEMP	-5 ~ +55°C (23 ~ 131 °F)
HUMIDITY	Less than 90% RH (no condensation)
CASE MATERIAL	ABS
COLOR	Black
WEIGHT	About 400g
DIMENSION	W50 X H80 X D128mm
MOUNTING	DIN RAIL

ORDERING CODE

MODEL : DPIP -

• INPUT SIGNAL

4~20mA DC (2-Wire DC24V)

• OUTPUT SIGNAL

1. 0~1mA DC	A. 0~10mV DC
2. 0~10mA DC	B. 0~100mV DC
3. 0~16mA DC	C. 0~1V DC
4. 0~20mA DC	D. 0~5V DC
5. 1~5mA DC	E. 0~10V DC
6. 2~10mA DC	F. 1~5V DC
7. 4~20mA DC	Z. Other Voltage
0. Other Current	(Less than 12V)

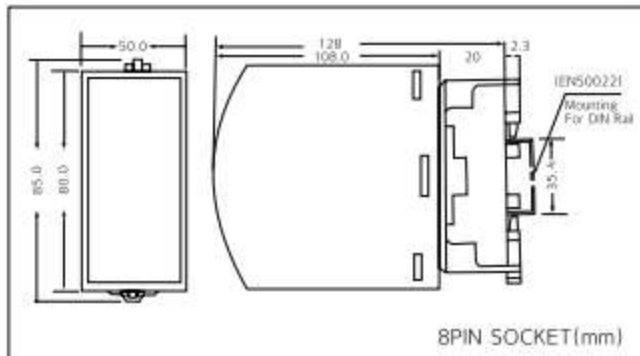
• POWER SUPPLY

1. AC 110V 2. AC 220V 3. DC 24V

■ OUTPUT LOAD RESISTANCE

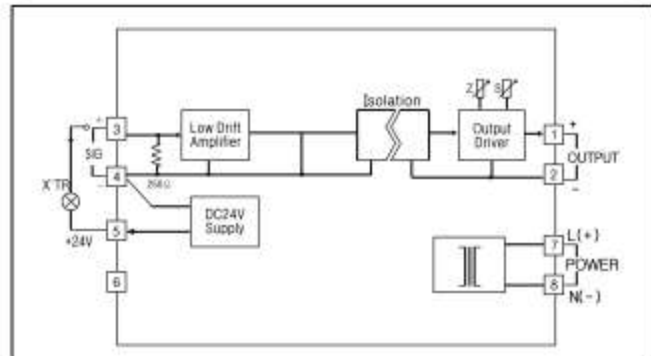
OUTPUT SIGNAL	LOAD RESISTANCE
DC 4~20mA	Less than 600Ω
DC 1~5V	More than 2.5KΩ
DC 0~10V	More than 5KΩ

DIMENSION



8PIN SOCKET (mm)

BLOCK DIAGRAM



General Specifications

R, T, D CONVERTER 測溫抵抗體 變換器



CE

This instrument is a high and accurate converter that receives RTD as an input signal then converts resistance variations into DC voltage and DC current output signal following the temperature. Also the feed back circuit developed by our company actualized high accurate linearization and compensation of line resistance. In the mounting method is PLUG-IN mounting.

SPECIFICATIONS

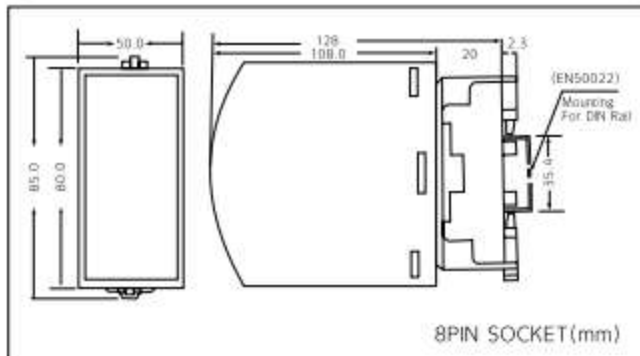
ITEMS	DESCRIPTIONS
INPUT	Pt 100Ω 3-Wire (Over 50deg) Adjustment needed for 2wire Bulb Permissible resistance of cable less than 100
UPPLY CURRENT TO Pt BULB	DC 2mA
BURN - OUT	Upper Limit
OUTPUT	DC Current or DC Voltage signal
ACCURACY	±0.2% Max.
TEMP. COEFFICIENT	±0.02% / °C
RESPONSE TIME	Less than 0.5Sec (0~90%)
INSULATION RESISTANCE	Greater than 100MΩ at DC 500V
DIELECTRIC - STRENGTH	Input - Power AC 1,500V
	Input - Output AC 1,500V
POWER SUPPLY	AC 110 / AC 220V ± 10%, 50/60Hz 3.5VA
	DC 24V ± 10% 110mA
AMBIENT - TEMP	-5 ~ +55°C (23 ~ 131 °F)
HUMIDITY	Less than 90% RH (no condensation)
LINEARIZER	Standard Function
CASE MATERIAL	ABS
COLOR	Black
WEIGHT	About 400g
DIMENSION	W50 X H80 X D128mm
MOUNTING	DIN RAIL

STANDARD INPUT RANGE

(UNIT : °C)

INPUT	RANGE
Pt 100Ω	0~50, 0~100, 0~150, 0~200, 0~250, 0~300, 0~400 0~500, -20 ~ +80, -50 ~ +50, -50 ~ +150, 50~100 50~150, 100~200, 100~300, 200~400

DIMENSION



ORDERING CODE

MODEL : DPRB -

INPUT SIGNAL

1. JPt 100Ω (JIS) 3-Wire
2. Pt 100Ω (DIN) 3-Wire
3. Others

OUTPUT SIGNAL

- | | |
|------------------|------------------|
| 1. 0~1mA DC | A. 0~10mV DC |
| 2. 0~10mA DC | B. 0~100mV DC |
| 3. 0~16mA DC | C. 0~1V DC |
| 4. 0~20mA DC | D. 0~5V DC |
| 5. 1~5mA DC | E. 0~10V DC |
| 6. 2~10mA DC | F. 1~5V DC |
| 7. 4~20mA DC | Z. Other Voltage |
| 0. Other Current | (Less than 12V) |

POWER SUPPLY

1. AC 110V
2. AC 220V
3. DC 24V

BURN OUT

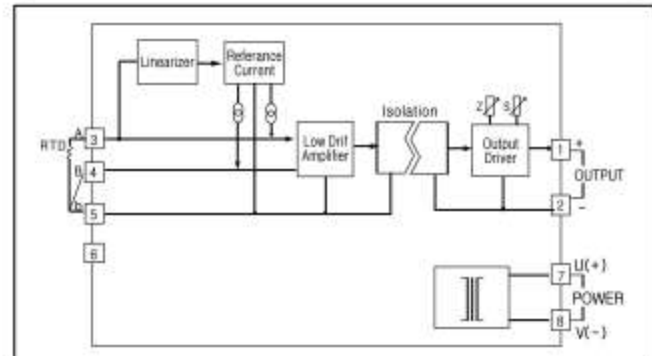
- U. Up scale

* Please Specify the Input Range When you Order.

OUTPUT LOAD RESISTANCE

OUTPUT SIGNAL	LOAD RESISTANCE
DC 4~20mA	Less than 600Ω
DC 1~5V	More than 2.5KΩ
DC 0~10V	More than 5KΩ

BLOCK DIAGRAM



General Specifications

THERMOCOUPLE CONVERTER

熱電對 變換器



This instrument is a high accurate converter that receives various T/C as an input signal and converts the TC temperature into DC current and DC voltage through the temperature compensation and linear circuit that correspond to the various TC. Input, output and power have isolation circuit that is separated from each other.

In the mounting method is PLUG-IN mounting.

CE

SPECIFICATIONS

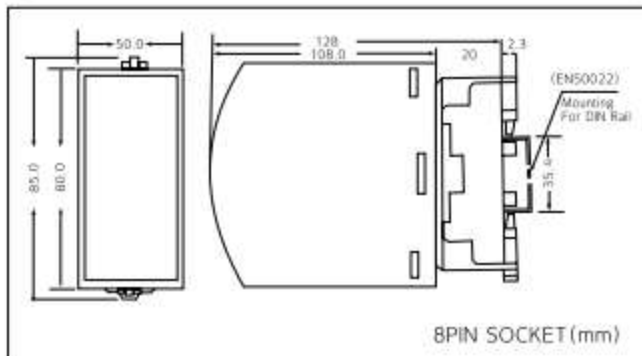
ITEMS	DESCRIPTIONS
INPUT	Thermocouple (K, J, T, E, B, R, S)
BURN - OUT	Upper Limit
OUTPUT	DC Current or DC Voltage signal
ACCURACY	±0.3% Max
TEMP. COEFFICIENT	±0.02% / °C
RESPONSE TIME	Less than 0.5Sec (0~90%)
INSULATION RESISTANCE	Greater than 100MΩ at DC 500V
DIELECTRIC - STRENGTH	Input - Power AC 1,500V
	Input - Output AC 1,500V 1 Minute
POWER SUPPLY	AC 110 / AC 220V ± 10%, 50/60Hz 3.5VA
	DC 24V ± 10% 110mA
AMBIENT - TEMP	-5 ~ +55°C (23 ~ 131 °F)
HUMIDITY	Less than 90% RH (no condensation)
LINEARIZER	Standard Function
CASE MATERIAL	ABS
COLOR	Black
WEIGHT	About 400g
DIMENSION	W50 X H80 X D128mm
MOUNTING	DIN RAIL

■ STANDARD INPUT RANGE

(UNIT : °C)

INPUT	RANGE
K	-50~+100, 0~300, 0~400, 0~500, 0~600 0~800, 0~1000, 0~1200
J	0~200, 0~300, 0~400, 0~800
T	-20~80, 0~100, 0~200
R	600~1600

DIMENSION



8PIN SOCKET (mm)

ORDERING CODE

MODEL : DPTC -

• INPUT SIGNAL

- | | |
|-----------|-----------------------|
| 1. K(CA) | 5. B |
| 2. J(IC) | 6. S |
| 3. T(CC) | 7. R |
| 4. E(CRC) | 8. Other Thermocouple |

• OUTPUT SIGNAL

- | | |
|------------------|------------------|
| 1. 0~1mA DC | A. 0~10mV DC |
| 2. 0~10mA DC | B. 0~100mV DC |
| 3. 0~16mA DC | C. 0~1V DC |
| 4. 0~20mA DC | D. 0~5V DC |
| 5. 1~5mA DC | E. 0~10V DC |
| 6. 2~10mA DC | F. 1~5V DC |
| 7. 4~20mA DC | Z. Other Voltage |
| 0. Other Current | (Less than 12V) |
| (Less than 20mA) | |

• POWER SUPPLY

1. AC 110V 2. AC 220V 3. DC 24V

• BURN OUT

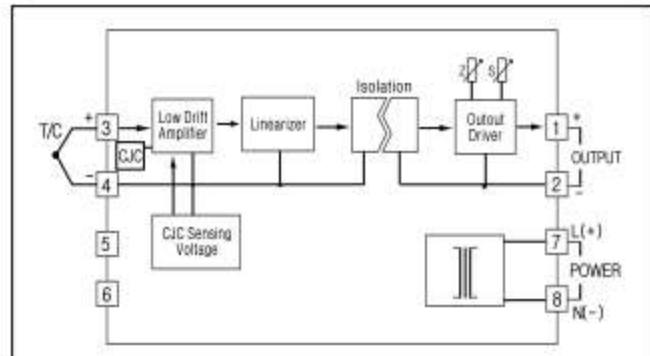
- U. Up scale

* Please Specify the Input Range When you Order;

■ OUTPUT LOAD RESISTANCE

OUTPUT SIGNAL	LOAD RESISTANCE
DC 4~20mA	Less than 600Ω
DC 1~5V	More than 2.5KΩ
DC 0~10V	More than 5KΩ

BLOCK DIAGRAM



General Specifications

POTENTIOMETER CONVERTER

可變抵抗變換器



CE

This instrument is a high and accurate converter that receives resistance signal of 3 wires potentiometer (100Ω ~ 100KΩ) and converts then into DC voltage and current.

Especially, it is widely used for float type water level detector and mutual interference by Zero adjustment and Span adjustment is hardly occurred.

In the mounting method is PLUG-IN mounting.

SPECIFICATIONS

ITEMS	DESCRIPTIONS
INPUT	Potentiometer (from 100Ω ~ 100KΩ)
OUTPUT	DC Current or DC Voltage signal
ACCURACY	±0.2% Max.
TEMP. COEFFICIENT	±0.015% / °C
RESPONSE TIME	Less than 0.5Sec (0~90%)
INSULATION RESISTANCE	Greater than 100MΩ at DC 500V
DIELECTRIC - STRENGTH	Input - Power AC 1,500V
	Input - Output AC 1,500V 1 Minute
POWER SUPPLY	AC 110 / AC 220V ± 10%, 50/60Hz 3.5VA
	DC 24V ± 10% 110mA
AMBIENT - TEMP	-5 ~ +55°C (23 ~ 131 °F)
HUMIDITY	Less than 90% RH (no condensation)
CASE MATERIAL	ABS
COLOR	Black
WEIGHT	About 400g
DIMENSION	W50 X H80 X D128mm
MOUNTING	DIN RAIL

ORDERING CODE

MODEL : DPPC -

• INPUT SIGNAL

POTENTIOMETER (Total resistance 100Ω ~ 100KΩ)

• OUTPUT SIGNAL

1. 0~1mA DC	A. 0~10mV DC
2. 0~10mA DC	B. 0~100mV DC
3. 0~16mA DC	C. 0~1V DC
4. 0~20mA DC	D. 0~5V DC
5. 1~5mA DC	E. 0~10V DC
6. 2~10mA DC	F. 1~5V DC
7. 4~20mA DC	Z. Other Voltage
0. Other Current	(Less than 12V)
(Less than 20mA)	

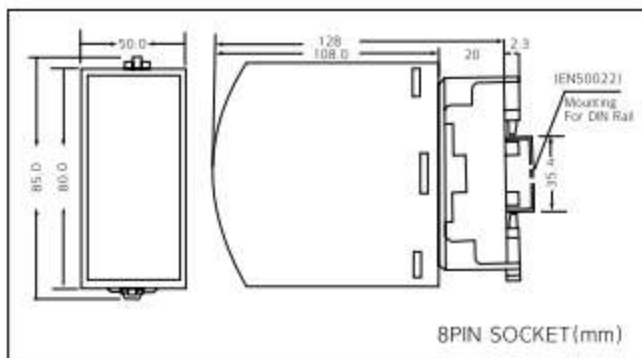
• POWER SUPPLY

1. AC 110V 2. AC 220V 3. DC 24V

■ OUTPUT LOAD RESISTANCE

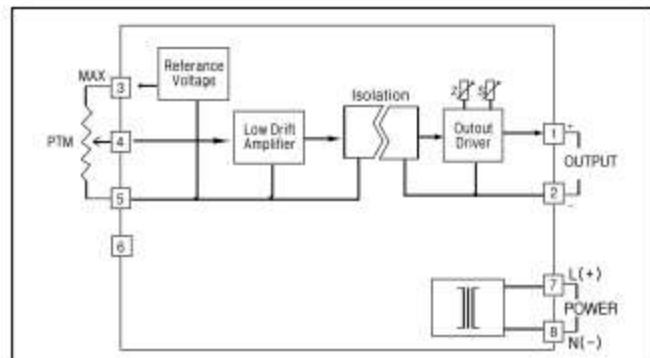
OUTPUT SIGNAL	LOAD RESISTANCE
DC 4~20mA	Less than 600Ω
DC 1~5V	More than 2.5KΩ
DC 0~10V	More than 5KΩ

DIMENSION



8PIN SOCKET (mm)

BLOCK DIAGRAM



General Specifications

SIGNAL ISOLATOR

信號絕緣 變換器



CE

This instrument receives DC voltage and current as an input signal and provides conversion output when the input & output is separated completely. Especially, an input, an output, and power are isolated using a transformer and it is called 3 ways isolator.

This instrument is a high accurate converter which is the most suitable to prevent impulse noise and high peak voltage from the interval between field instrument and computer interface. In the mounting method is PLUG-IN mounting.

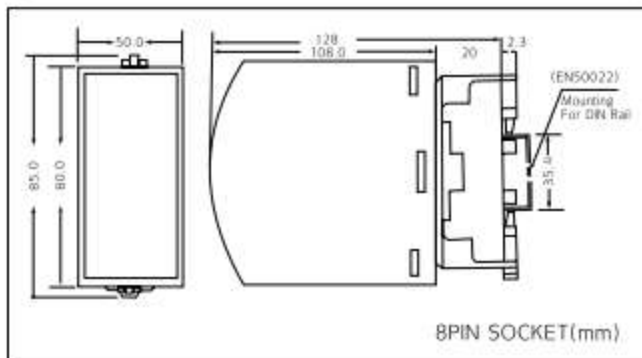
SPECIFICATIONS

ITEMS	DESCRIPTIONS
INPUT	DC Current or DC Voltage signal
OUTPUT	DC Current or DC Voltage signal
ACCURACY	±0.1% Max
TEMP. COEFFICIENT	±0.015% / °C
RESPONSE TIME	Less than 0.5Sec (0~90%)
INSULATION RESISTANCE	Greater than 100MΩ at DC 500V
DIELECTRIC - STRENGTH	Input - Power AC 1,500V
	Input - Output AC 1,500V
POWER SUPPLY	AC 110 / AC 220V ± 10%, 50/60Hz 3.5VA
	DC 24V ± 10% 110mA
AMBIENT - TEMP	-5 ~ +55°C (23 ~ 131 °F)
HUMIDITY	Less than 90% RH (no condensation)
CASE MATERIAL	ABS
COLOR	Black
WEIGHT	About 400g
DIMENSION	W50 X H80 X D128mm
MOUNTING	DIN RAIL

OUTPUT LOAD RESISTANCE

OUTPUT SIGNAL	LOAD RESISTANCE
DC 4~20mA	Less than 600Ω
DC 1~5V	More than 2.5KΩ
DC 0~10V	More than 5KΩ

DIMENSION



ORDERING CODE

MODEL : DPSI -

INPUT SIGNAL

- | | |
|------------------|------------------|
| 1. 0~1mA DC | A. 0~10mV DC |
| 2. 0~10mA DC | B. 0~100mV DC |
| 3. 0~16mA DC | C. 0~1V DC |
| 4. 0~20mA DC | D. 0~5V DC |
| 5. 1~5mA DC | E. 0~10V DC |
| 6. 2~10mA DC | F. 1~5V DC |
| 7. 4~20mA DC | H. Other Voltage |
| 0. Other Current | |

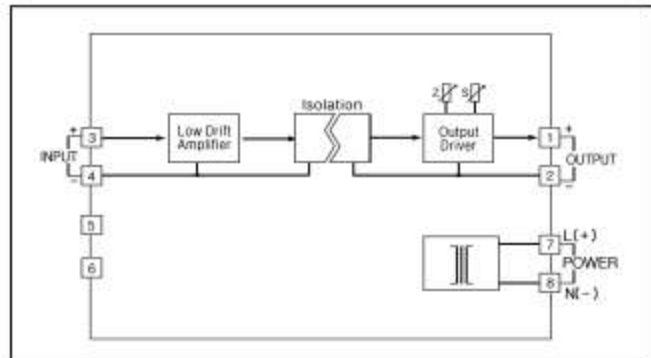
OUTPUT SIGNAL

- | | |
|------------------|------------------|
| 1. 0~1mA DC | A. 0~10mV DC |
| 2. 0~10mA DC | B. 0~100mV DC |
| 3. 0~16mA DC | C. 0~1V DC |
| 4. 0~20mA DC | D. 0~5V DC |
| 5. 1~5mA DC | E. 0~10V DC |
| 6. 2~10mA DC | F. 1~5V DC |
| 7. 4~20mA DC | H. Other Voltage |
| 0. Other Current | (Less than 12V) |

POWER SUPPLY

1. AC 110V 2. AC 220V 3. DC 24V

BLOCK DIAGRAM



General Specifications

HIGH SPEED ISOLATOR

高速 信號絶縁 變換器



CE

This instrument receives DC voltage and current as an input signal and provides conversion output when the input & output is separated completely. Especially, an input, an output and power are isolated using a transformer and it is called "3 ways isolator".

This instrument is a high speed response converter like computer interface.

In the mounting method is PLUG-IN mounting.

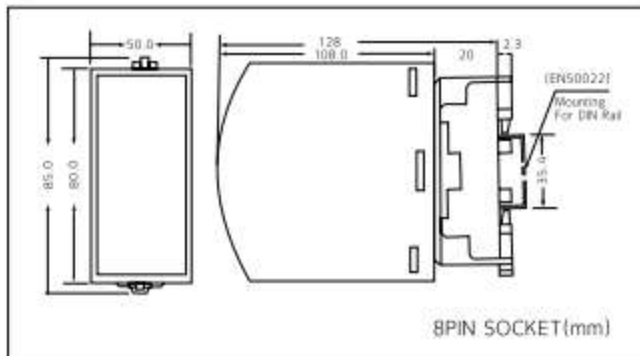
SPECIFICATIONS

ITEMS	DESCRIPTIONS		
INPUT	DC Current or DC Voltage signal		
OUTPUT	DC Current or DC Voltage signal		
ACCURACY	±0.1% Max		
TEMP. COEFFICIENT	±0.025% / °C		
RESPONSE TIME	Less than 10mSec (0~90%)		
INSULATION RESISTANCE	Greater than 100MΩ at DC 500V		
DIELECTRIC - STRENGTH	Input - Power	AC 1,500V	1 Minute
	Input - Output	AC 1,500V	
POWER SUPPLY	AC 110 / AC 220V ± 10%, 50/60Hz 3.5VA		
AMBIENT - TEMP	-5 ~ +55°C (23 ~ 131 °F)		
HUMIDITY	Less than 90% RH (no condensation)		
CASE MATERIAL	ABS		
COLOR	Black		
WEIGHT	About 400g		
DIMENSION	W50 X H80 X D128mm		
MOUNTING	DIN RAIL		

OUTPUT LOAD RESISTANCE

OUTPUT SIGNAL	LOAD RESISTANCE
DC 4~20mA	Less than 600Ω
DC 1~5V	More than 2.5KΩ
DC 0~10V	More than 5KΩ

DIMENSION



8PIN SOCKET(mm)

ORDERING CODE

MODEL : DPHI -

INPUT SIGNAL

- | | |
|------------------|------------------|
| 1. 0~1mA DC | A, 0~10mV DC |
| 2. 0~10mA DC | B, 0~100mV DC |
| 3. 0~16mA DC | C, 0~1V DC |
| 4. 0~20mA DC | D, 0~5V DC |
| 5. 1~5mA DC | E, 0~10V DC |
| 6. 2~10mA DC | F, 1~5V DC |
| 7. 4~20mA DC | Z, Other Voltage |
| 0. Other Current | |

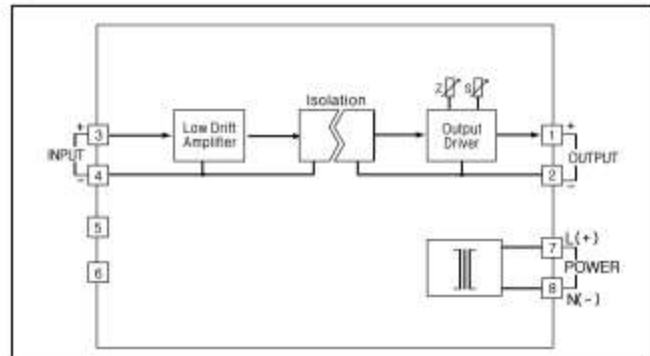
OUTPUT SIGNAL

- | | |
|------------------|------------------|
| 1. 0~1mA DC | A, 0~10mV DC |
| 2. 0~10mA DC | B, 0~100mV DC |
| 3. 0~16mA DC | C, 0~1V DC |
| 4. 0~20mA DC | D, 0~5V DC |
| 5. 1~5mA DC | E, 0~10V DC |
| 6. 2~10mA DC | F, 1~5V DC |
| 7. 4~20mA DC | Z, Other Voltage |
| 0. Other Current | (Less than 12V) |
| | (Less than 20mA) |

POWER SUPPLY

- | | |
|------------|------------|
| 1. AC 110V | 2. AC 220V |
|------------|------------|

BLOCK DIAGRAM



General Specifications

REVERSE CONVERTER

逆信號 變換器



This instrument receives DC voltage and current as an input signal then reverses output signals of all instrument if the reverse is needed. Especially, an input, an output, and power are isolated by a transformer and it is called "3 ways isolator". In the mounting method is PLUG-IN mounting.

CE

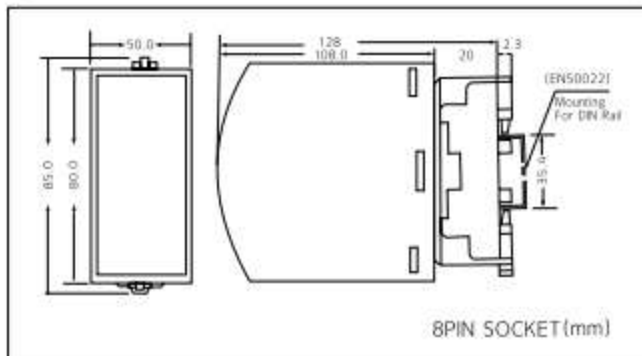
SPECIFICATIONS

ITEMS	DESCRIPTIONS		
INPUT	DC Current or DC Voltage signal		
OUTPUT	DC Current or DC Voltage signal		
ACCURACY	±0.1% Max		
TEMP. COEFFICIENT	±0.015% / °C		
RESPONSE TIME	Less than 0.5Sec (0~90%)		
INSULATION RESISTANCE	Greater than 100MΩ at DC 500V		
DIELECTRIC - STRENGTH	Input - Power	AC 1,500V	1 Minute
	Input - Output	AC 1,500V	
POWER SUPPLY	AC 110 / AC 220V ± 10%, 50/60Hz 3.5VA DC 24V ± 10% 110mA		
AMBIENT - TEMP	-5 ~ +55°C (23 ~ 131 F)		
HUMIDITY	Less than 90% RH (no condensation)		
CASE MATERIAL	ABS		
COLOR	Black		
WEIGHT	About 400g		
DIMENSION	W50 X H80 X D128mm		
MOUNTING	DIN RAIL		

OUTPUT LOAD RESISTANCE

OUTPUT SIGNAL	LOAD RESISTANCE
DC 4~20mA	Less than 600Ω
DC 1~5V	More than 2.5KΩ
DC 0~10V	More than 5KΩ

DIMENSION



8PIN SOCKET (mm)

ORDERING CODE

MODEL : DPRC -

INPUT SIGNAL

- | | |
|------------------|------------------|
| 1. 0~1mA DC | A, 0~10mV DC |
| 2. 0~10mA DC | B, 0~100mV DC |
| 3. 0~16mA DC | C, 0~1V DC |
| 4. 0~20mA DC | D, 0~5V DC |
| 5. 1~5mA DC | E, 0~10V DC |
| 6. 2~10mA DC | F, 1~5V DC |
| 7. 4~20mA DC | Z, Other Voltage |
| 0. Other Current | |

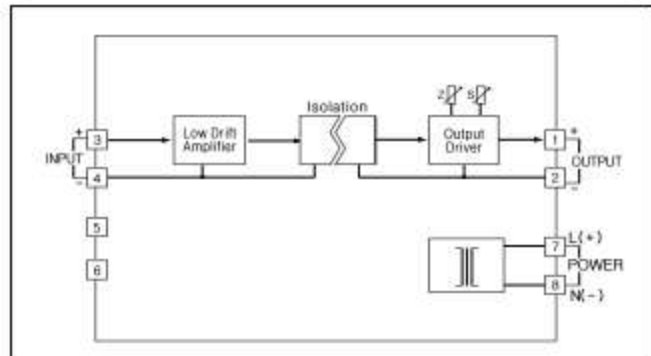
OUTPUT SIGNAL

- | | |
|------------------|------------------|
| 1. 1~0mA DC | A, 10~0mV DC |
| 2. 10~0mA DC | B, 100~0mV DC |
| 3. 16~0mA DC | C, 1~0V DC |
| 4. 20~0mA DC | D, 5~0V DC |
| 5. 5~1mA DC | E, 10~0V DC |
| 6. 10~2mA DC | F, 5~1V DC |
| 7. 20~4mA DC | Z, Other Voltage |
| 0. Other Current | (Less than 12V) |
| (Less than 20mA) | |

POWER SUPPLY

1. AC 110V 2. AC 220V 3. DC 24V

BLOCK DIAGRAM



General Specifications

STRAIN GAUGE CONVERTER

Strain gauge 變換器



CE

This instrument converts Load cell or strain gauge as an input signal into DC voltage or current.

It actualizes a high and accurate performance that residual magnetic voltage selects constant voltage and amplifier circuit select low noise type.

In the mounting method is PLUG-IN mounting.

SPECIFICATIONS

ITEMS	DESCRIPTIONS
LOAD CELL TO BE COMBINED	Bridge Resistance 350Ω or more rated output Voltage 2mV/V and other
APPLIED VOLTAGE	DC 10V(Standard)
OUTPUT	DC Current or DC Voltage signal
ACCURACY	±0.2% Max.
TEMP. COEFFICIENT	±0.02% / °C
RESPONSE TIME	Less than 0.5Sec (0~90%)
INSULATION RESISTANCE	Greater than 100MΩ at DC 500V
DIELECTRIC - STRENGTH	Input - Power AC 1,500V
	Input - Output AC 1,500V
	1 Minute
POWER SUPPLY	AC 110 / AC 220V ± 10%, 50/60Hz 4VA DC 24V ± 10% 110mA
AMBIENT - TEMP	-5 ~ +55°C (23 ~ 131 °F)
HUMIDITY	Less than 90% RH (no condensation)
CASE MATERIAL	ABS
COLOR	Black
WEIGHT	About 400g
DIMENSION	W50 X H80 X D128mm
MOUNTING	DIN RAIL

ORDERING CODE

MODEL : DPLS -

• EXT. VOLTAGE

1. DC 5V
2. DC 10V
3. Other Voltages

• LOAD CELL

1. 2mV/V
2. Other

• OUTPUT SIGNAL

- | | |
|------------------|------------------|
| 1. 0~1mA DC | A. 0~10mV DC |
| 2. 0~10mA DC | B. 0~100mV DC |
| 3. 0~16mA DC | C. 0~1V DC |
| 4. 0~20mA DC | D. 0~5V DC |
| 5. 1~5mA DC | E. 0~10V DC |
| 6. 2~10mA DC | F. 1~5V DC |
| 7. 4~20mA DC | Z. Other Voltage |
| 0. Other Current | (Less than 12V) |
| (Less than 20mA) | |

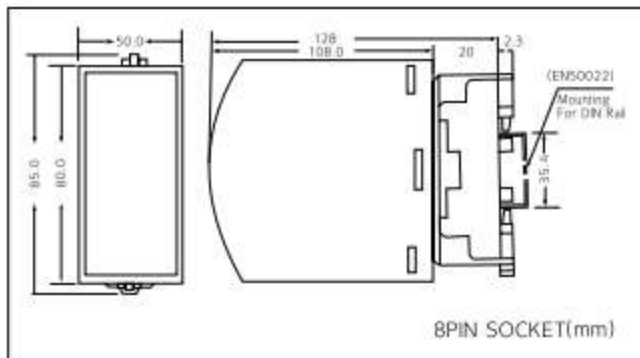
• POWER SUPPLY

1. AC 110V
2. AC 220V
3. DC 24V

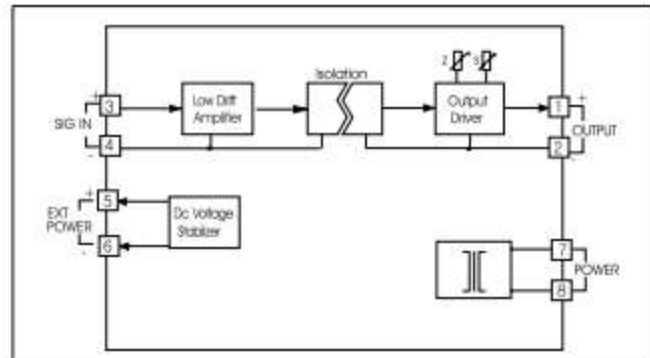
■ OUTPUT LOAD RESISTANCE

OUTPUT SIGNAL	LOAD RESISTANCE
DC 4~20mA	Less than 600Ω
DC 1~5V	More than 2.5KΩ
DC 0~10V	More than 5KΩ

DIMENSION



BLOCK DIAGRAM



General Specifications

TACHOGENERATOR CONVERTER

回轉數 變換器



This is high accurate instrument which the value corresponding to RPM of tachogenerator converts to DC current and voltage signal as receiving input of output signal by tachogenerator.

This is a high and accurate instrument that has an output signal by tachogenerator converter as an input and converts values correspond to RPM of tachogenerator to DC and voltage signals. In the mounting method is PLUG-IN mounting.

CE

SPECIFICATIONS

ITEMS	DESCRIPTIONS
INPUT IMPEDANCE	150KΩ or More
OUTPUT	DC Current or DC Voltage signal
ACCURACY	±0.3% Max
TEMP. COEFFICIENT	±0.02% / ℃
RESPONSE TIME	Less than 0.5Sec (0~90%)
INSULATION RESISTANCE	Greater than 100MΩ at DC 500V
DIELECTRIC - STRENGTH	Input - Power AC 1,500V
	Input - Output AC 1,500V 1 Minute
POWER SUPPLY	AC 110 / AC 220V ± 10%, 50/60Hz 3.5VA
	DC 24V ± 10% 110mA
AMBIENT - TEMP	-5 ~ +55℃ (23 ~ 131 ℉)
HUMIDITY	Less than 90% RH (no condensation)
CASE MATERIAL	ABS
COLOR	Black
WEIGHT	About 400g
DIMENSION	W50 X H80 X D128mm
MOUNTING	DIN RAIL

ORDERING CODE

MODEL : DPTG -

• INPUT SIGNAL

1. AC 0 ~ 35V (100Hz ~ 1KHz)
2. Specify Range (AC 20 ~ 150V)

• OUTPUT SIGNAL

- | | |
|------------------|------------------|
| 1. 0~1mA DC | A. 0~10mV DC |
| 2. 0~10mA DC | B. 0~100mV DC |
| 3. 0~16mA DC | C. 0~1V DC |
| 4. 0~20mA DC | D. 0~5V DC |
| 5. 1~5mA DC | E. 0~10V DC |
| 6. 2~10mA DC | F. 1~5V DC |
| 7. 4~20mA DC | H. Other Voltage |
| 0. Other Current | (Less than 12V) |

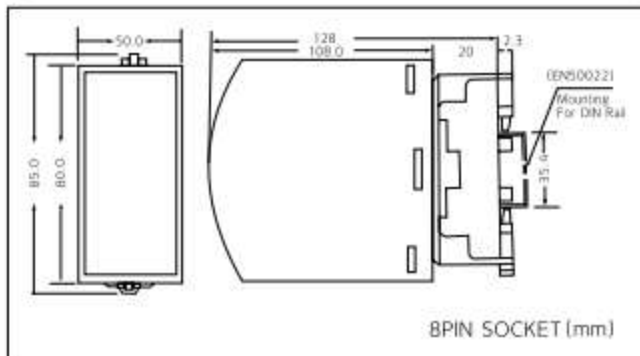
• POWER SUPPLY

1. AC 110V
2. AC 220V
3. DC 24V

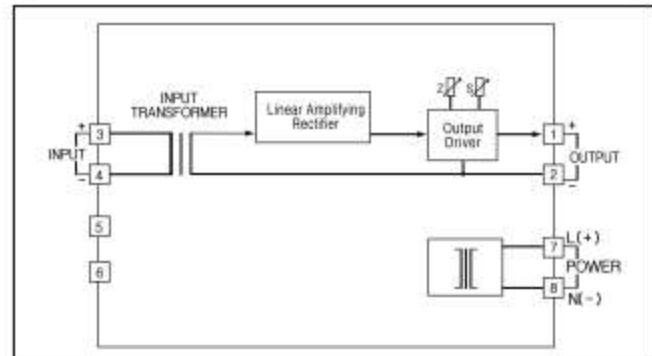
■ OUTPUT LOAD RESISTANCE

OUTPUT SIGNAL	LOAD RESISTANCE
DC 4~20mA	Less than 600Ω
DC 1~5V	More than 2.5KΩ
DC 0~10V	More than 5KΩ

DIMENSION



BLOCK DIAGRAM



General Specifications

HIGH/LOW SELECTOR 信號選擇器



This instrument has two different input signals in all process amounts. (temperature, flow, pressure, components, etc)

Then the instrument compares two signals to select the highest or lowest value to output. It is used for a variable control of process control and alternative amounts control.

In the mounting method is PLUG-IN mounting.

SPECIFICATIONS

ITEMS	DESCRIPTIONS
INPUT	DC Voltage(1~5V) or DC Current(4~20mA)Signal
OUTPUT	DC Voltage(1~5V) or DC Current(4~20mA)Signal
NUMBER OF INPUT	2
ACCURACY	±0.2% Max
TEMP. COEFFICIENT	±0.02% / °C
RESPONSE TIME	Less than 0.5Sec (0~90%)
INSULATION RESISTANCE	Greater than 100MΩ at DC 500V
DIELECTRIC - STRENGTH	Input - Power AC 1,500V
	Input - Output AC 1,500V 1 Minute
POWER SUPPLY	AC 110 / AC 220V ± 10%, 50/60Hz 4VA
AMBIENT - TEMP	-5 ~ +55°C (23 ~ 131 °F)
HUMIDITY	Less than 90% RH (no condensation)
CASE MATERIAL	ABS
COLOR	Black
WEIGHT	About 400g
DIMENSION	W50 X H80 X D128mm
MOUNTING	DIN RAIL

ORDERING CODE

MODEL : DPHL -

• SELECTING FUNCTION

1. Low Signal
2. High Signal

• INPUT SIGNAL

- 7, 4~20mA DC F, 1~5V DC
0, Other Current Z, Other Voltage
(Less than 20mA) (Less than 12V)

• OUTPUT SIGNAL

- 7, 4~20mA DC F, 1~5V DC
0, Other Current Z, Other Voltage
(Less than 20mA) (Less than 12V)

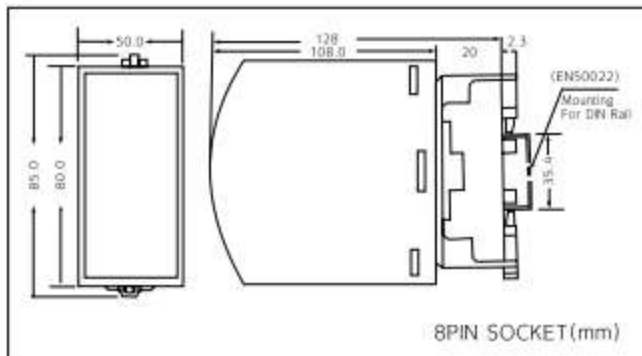
• POWER SUPPLY

- 1, AC 110V 2, AC 220V

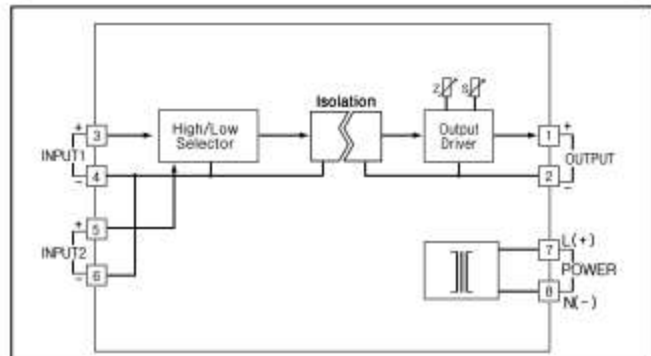
■ OUTPUT LOAD RESISTANCE

OUTPUT SIGNAL	LOAD RESISTANCE
DC 4~20mA	Less than 600Ω
DC 1~5V	More than 2.5KΩ
DC 0~10V	More than 5KΩ

DIMENSION



BLOCK DIAGRAM



General Specifications

SIGNAL LIMITER

信號制限器



CE

This converter is possible to limit output range to high/low limit 0~100% as being Input of DC voltage and current output signal. It is used in limit control system in combination with output signal of main controller.

In the mounting method is PLUG-IN mounting.

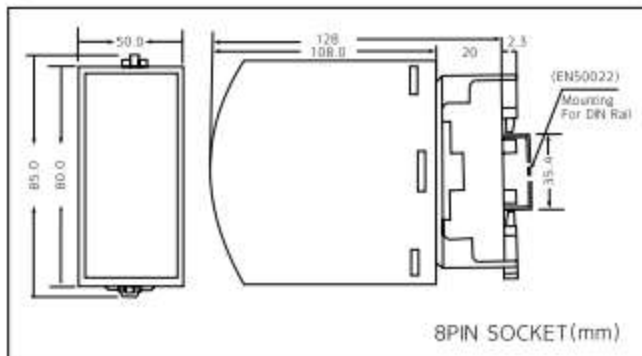
SPECIFICATIONS

ITEMS	DESCRIPTIONS		
INPUT	DC Current or DC Voltage signal		
OUTPUT	DC Current or DC Voltage signal		
ACCURACY	±0.1% Max		
TEMP. COEFFICIENT	±0.015% / °C		
RESPONSE TIME	Less than 0.5Sec (0~90%)		
INSULATION RESISTANCE	Greater than 100MΩ at DC 500V		
DIELECTRIC - STRENGTH	Input - Power	AC 1,500V	1 Minute
	Input - Output	AC 1,500V	
POWER SUPPLY	AC 110 / AC 220V ± 10%, 50/60Hz 3.5VA DC 24V ± 10% 100mA		
AMBIENT - TEMP	-5 ~ +55°C (23 ~ 131 °F)		
HUMIDITY	Less than 90% RH (no condensation)		
CASE MATERIAL	ABS		
COLOR	Black		
WEIGHT	About 400g		
DIMENSION	W50 X H80 X D128mm		
MOUNTING	DIN RAIL		

OUTPUT LOAD RESISTANCE

OUTPUT SIGNAL	LOAD RESISTANCE
DC 4~20mA	Less than 600Ω
DC 1~5V	More than 2.5KΩ
DC 0~10V	More than 5KΩ

DIMENSION



8PIN SOCKET(mm)

ORDERING CODE

MODEL : DPSL -

SELECTING FUNCTION

- 1, Low Signal
- 2, High Signal

INPUT SIGNAL

- | | |
|------------------|------------------|
| 1, 0~1mA DC | A, 0~10mV DC |
| 2, 0~10mA DC | B, 0~100mV DC |
| 3, 0~16mA DC | C, 0~1V DC |
| 4, 0~20mA DC | D, 0~5V DC |
| 5, 1~5mA DC | E, 0~10V DC |
| 6, 2~10mA DC | F, 1~5V DC |
| 7, 4~20mA DC | Z, Other Voltage |
| 0, Other Current | |

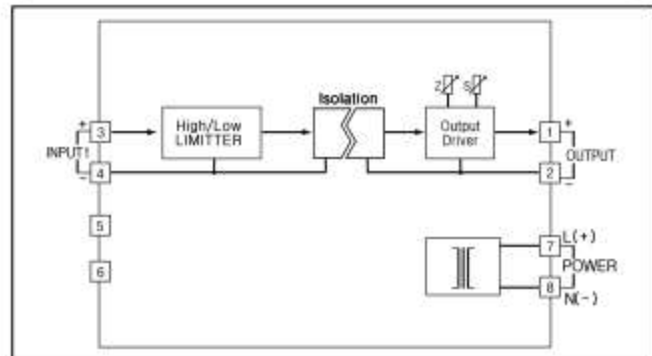
OUTPUT SIGNAL

- | | |
|------------------|------------------|
| 1, 0~1mA DC | A, 0~10mV DC |
| 2, 0~10mA DC | B, 0~100mV DC |
| 3, 0~16mA DC | C, 0~1V DC |
| 4, 0~20mA DC | D, 0~5V DC |
| 5, 1~5mA DC | E, 0~10V DC |
| 6, 2~10mA DC | F, 1~5V DC |
| 7, 4~20mA DC | Z, Other Voltage |
| 0, Other Current | (Less than 12V) |

POWER SUPPLY

- 1, AC 110V 2, AC 220V 3, DC 24V

BLOCK DIAGRAM



General Specifications

ADDER & SUBTRACTOR 加減演算器



CE

This converter is used for addition and subtraction process of temperature and flow, etc.

This converter completes the best system combining computer console with each instrument such as controller, recorder, and integrator according to application positions.

In the mounting method is PLUG-IN mounting.

SPECIFICATIONS

ITEMS	DESCRIPTIONS
INPUT	DC Voltage(1~5V) or DC Current(4~20mA)Signal
OUTPUT	DC Voltage(1~5V) or DC Current(4~20mA)Signal
NUMBER OF INPUT	2
ACCURACY	±0.2% Max
TEMP. COEFFICIENT	±0.015% / °C
RESPONSE TIME	Less than 0.5Sec (0~90%)
INSULATION RESISTANCE	Greater than 100MΩ at DC 500V
DIELECTRIC - STRENGTH	Input - Power AC 1,500V
	Input - Output AC 1,500V 1 Minute
POWER SUPPLY	AC 110 / AC 220V ± 10%, 50/60Hz 3.5VA
	DC 24V ± 10% 110mA
AMBIENT - TEMP	-5 ~ +55°C (23 ~ 131 °F)
HUMIDITY	Less than 90% RH (no condensation)
CASE MATERIAL	ABS
COLOR	Black
WEIGHT	About 400g
DIMENSION	W50 X H80 X D128mm
MOUNTING	DIN RAIL

ORDERING CODE

MODEL : DPAS -

• SELECTING FUNCTION

1. Adder
2. Subtractor

• INPUT SIGNAL

7. 4~20mA DC F, 1~5V DC
 0. Other Current Z, Other Voltage
 (Less than 20mA) (Less than 12V)

• OUTPUT SIGNAL

7. 4~20mA DC F, 1~5V DC
 0. Other Current Z, Other Voltage
 (Less than 20mA) (Less than 12V)

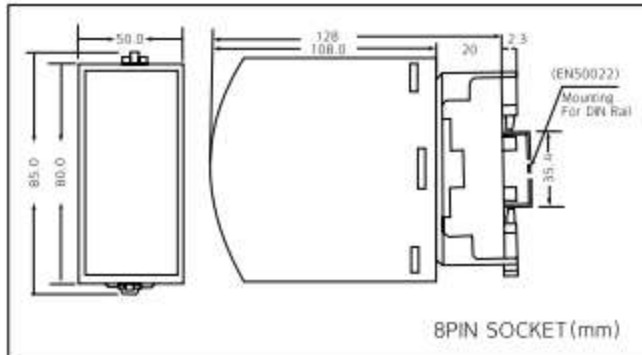
• POWER SUPPLY

1. AC 110V 2. AC 220V 3. DC 24V

■ OUTPUT LOAD RESISTANCE

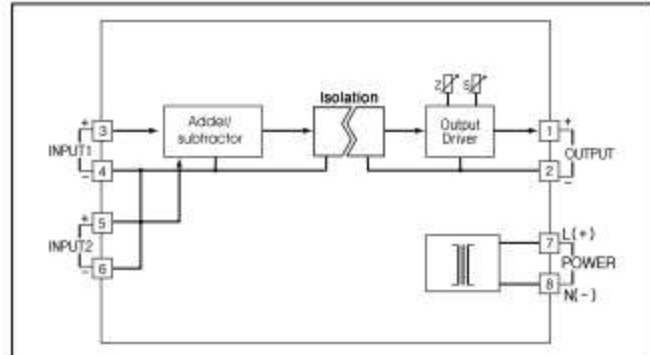
OUTPUT SIGNAL	LOAD RESISTANCE
DC 4~20mA	Less than 600Ω
DC 1~5V	More than 2.5KΩ
DC 0~10V	More than 5KΩ

DIMENSION



8PIN SOCKET (mm)

BLOCK DIAGRAM



General Specifications

PEAK HOLDER

最高置 検出器



CE

This is a converter that receives DC voltage and current as inputs transmitted from field instrument or regulator, and then generates an alarm occurred by a point of contact or open collector output by an establishment of maximum and minimum values.

It is used for effective interlock according to a process condition. In the mounting method is PLUG-IN mounting.

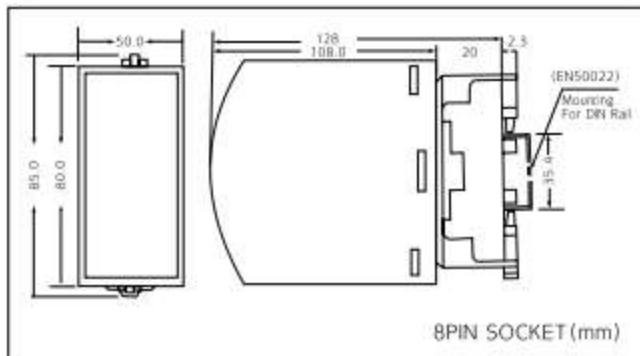
SPECIFICATIONS

ITEMS	DESCRIPTIONS
INPUT	DC Current or DC Voltage signal
OUTPUT	DC Current or DC Voltage signal
ACCURACY	±0.3% Max.
TEMP. COEFFICIENT	±0.015% / °C
RESPONSE TIME	Less than 0.5Sec (0~90%)
INSULATION RESISTANCE	Greater than 100MΩ at DC 500V
DIELECTRIC - STRENGTH	Input - Power AC 1,500V
	Input - Output AC 1,500V
POWER SUPPLY	AC 110 / AC 220V ± 10%, 50/60Hz 4VA DC 24V ± 10% 110mA
AMBIENT - TEMP	-5 ~ +55°C (23 ~ 131 °F)
HUMIDITY	Less than 90% RH (no condensation)
CASE MATERIAL	ABS
COLOR	Black
WEIGHT	About 400g
DIMENSION	W50 X H80 X D128mm
MOUNTING	DIN RAIL
PEAK HOLD CONTROL	Hold with terminal ⑤-⑥ Open, Reset with ⑤-⑥ Short

OUTPUT LOAD RESISTANCE

OUTPUT SIGNAL	LOAD RESISTANCE
DC 4~20mA	Less than 600Ω
DC 1~5V	More than 2.5KΩ
DC 0~10V	More than 5KΩ

DIMENSION



ORDERING CODE

MODEL : DPPH -

• HOLD

1. Maximum Value (Standard)
2. Minimum Value (Option)

• INPUT SIGNAL

- | | |
|------------------|------------------|
| 1. 0~1mA DC | A. 0~10mV DC |
| 2. 0~10mA DC | B. 0~100mV DC |
| 3. 0~16mA DC | C. 0~1V DC |
| 4. 0~20mA DC | D. 0~5V DC |
| 5. 1~5mA DC | E. 0~10V DC |
| 6. 2~10mA DC | F. 1~5V DC |
| 7. 4~20mA DC | Z. Other Voltage |
| 0. Other Current | |

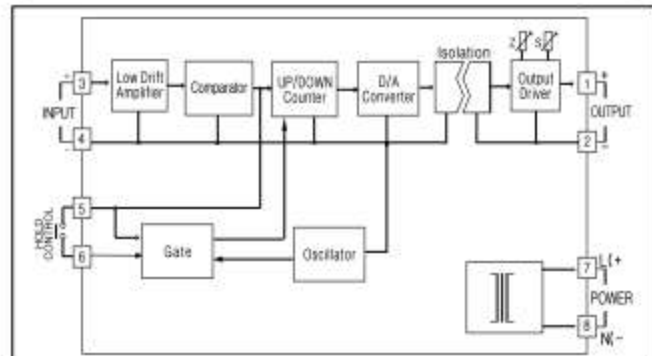
• OUTPUT SIGNAL

- | | |
|------------------|------------------|
| 1. 0~1mA DC | A. 0~10mV DC |
| 2. 0~10mA DC | B. 0~100mV DC |
| 3. 0~16mA DC | C. 0~1V DC |
| 4. 0~20mA DC | D. 0~5V DC |
| 5. 1~5mA DC | E. 0~10V DC |
| 6. 2~10mA DC | F. 1~5V DC |
| 7. 4~20mA DC | Z. Other Voltage |
| 0. Other Current | (Less than 12V) |

• POWER SUPPLY

1. AC 110V
2. AC 220V
3. DC 24V

BLOCK DIAGRAM



General Specifications

AC VOLTAGE TRANSDUCER

交流電壓變換器



CE

This instrument has alternating sinusoidal voltage as an input, and then calculates an average value and converts it into DC signal proportional to an effective value of input.

In the mounting method is PLUG-IN mounting.

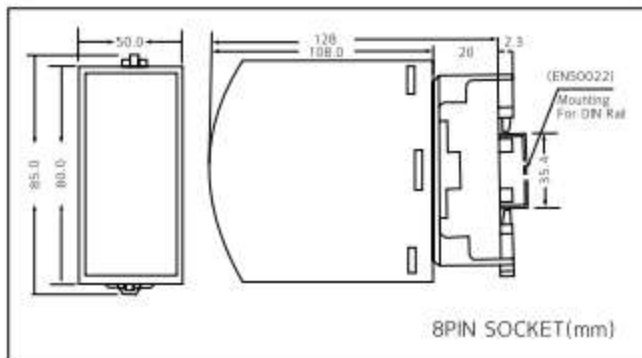
SPECIFICATIONS

ITEMS	DESCRIPTIONS
INPUT LOSS	Less than 0.5VA
OVER-INPUT	200% 1 minute
OUTPUT	DC Current or DC Voltage Signal
ACCURACY	±0.3% Max
TEMP. COEFFICIENT	±0.02% / °C
RESPONSE TIME	Less than 0.5Sec (0~90%)
INSULATION RESISTANCE	Greater than 100MΩ at DC 500V
DIELECTRIC - STRENGTH	Input - Power AC 1,500V
	Input - Output AC 1,500V 1 Minute
POWER SUPPLY	AC 110 / AC 220V ± 10%, 50/60Hz 3.5VA
	DC 24V ± 10% 110mA
AMBIENT - TEMP	-5 ~ +55°C (23 ~ 131 °F)
HUMIDITY	Less than 90% RH (no condensation)
CASE MATERIAL	ABS
COLOR	Black
WEIGHT	About 400g
DIMENSION	W50 X H80 X D128mm
MOUNTING	DIN RAIL

OUTPUT LOAD RESISTANCE

OUTPUT SIGNAL	LOAD RESISTANCE
DC 4~20mA	Less than 600Ω
DC 1~5V	More than 2.5KΩ
DC 0~10V	More than 5KΩ

DIMENSION



ORDERING CODE

MODEL : DPPT -

INPUT SIGNAL

- | | |
|----------------|-------------------------------|
| 1. AC 0 ~ 110V | 4. AC 0 ~ 600V |
| 2. AC 0 ~ 150V | 5. Other Voltage by specified |
| 3. AC 0 ~ 300V | |

OUTPUT SIGNAL

- | | |
|------------------|------------------|
| 1. 0~1mA DC | A. 0~10mV DC |
| 2. 0~10mA DC | B. 0~100mV DC |
| 3. 0~16mA DC | C. 0~1V DC |
| 4. 0~20mA DC | D. 0~5V DC |
| 5. 1~5mA DC | E. 0~10V DC |
| 6. 2~10mA DC | F. 1~5V DC |
| 7. 4~20mA DC | H. Other Voltage |
| 0. Other Current | (Less than 12V) |

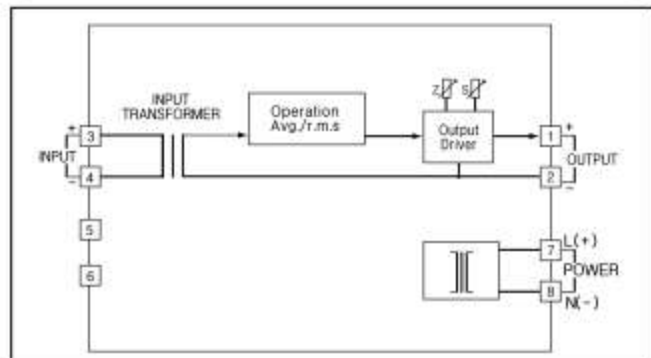
POWER SUPPLY

1. AC 110V 2. AC 220V 3. DC 24V

OPTION

- R. RMS Sensing

BLOCK DIAGRAM



General Specifications

AC CURRENT TRANSDUCER

交流電流變換器



This instrument has alternating sinusoidal current as an input, and then calculates an average value and converts it into DC signal proportional to an effective value of input.

In the mounting method is PLUG-IN mounting.

CE

SPECIFICATIONS

ITEMS	DESCRIPTIONS
INPUT LOSS	Less than 0.5VA
OVER-INPUT	200% 1 minute
OUTPUT	DC Current or DC Voltage Signal
ACCURACY	±0.3% Max
TEMP. COEFFICIENT	±0.02% / °C
RESPONSE TIME	Less than 0.5Sec (0~90%)
INSULATION RESISTANCE	Greater than 100MΩ at DC 500V
DIELECTRIC - STRENGTH	Input - Power AC 1,500V
	Input - Output AC 1,500V 1 Minute
POWER SUPPLY	AC 110 / AC 220V ± 10%, 50/60Hz 3.5VA DC 24V ± 10% 110mA
AMBIENT - TEMP	-5 ~ +55°C (23 ~ 131 °F)
HUMIDITY	Less than 90% RH (no condensation)
CASE MATERIAL	ABS
COLOR	Black
WEIGHT	About 400g
DIMENSION	W50 X H80 X D128mm
MOUNTING	DIN RAIL

ORDERING CODE

MODEL : DPCT -

• INPUT SIGNAL

1. AC 0 ~ 1A
2. AC 0 ~ 5A
3. Other

• OUTPUT SIGNAL

- | | |
|------------------|------------------|
| 1. 0~1mA DC | A. 0~10mV DC |
| 2. 0~10mA DC | B. 0~100mV DC |
| 3. 0~16mA DC | C. 0~1V DC |
| 4. 0~20mA DC | D. 0~5V DC |
| 5. 1~5mA DC | E. 0~10V DC |
| 6. 2~10mA DC | F. 1~5V DC |
| 7. 4~20mA DC | H. Other Voltage |
| 0. Other Current | (Less than 12V) |

• POWER SUPPLY

1. AC 110V
2. AC 220V
3. DC 24V

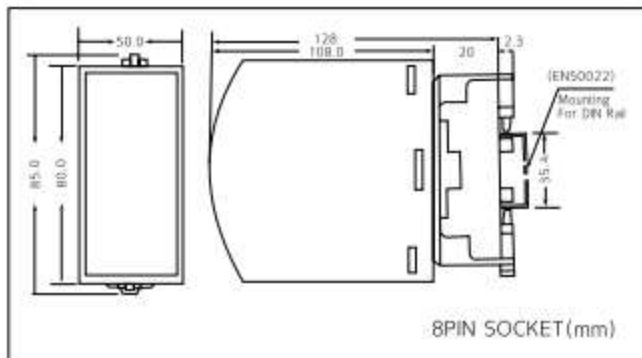
• OPTION

- R. RMS Sensing

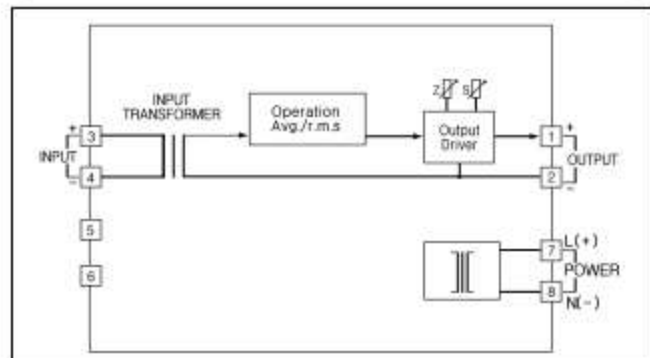
■ OUTPUT LOAD RESISTANCE

OUTPUT SIGNAL	LOAD RESISTANCE
DC 4~20mA	Less than 600Ω
DC 1~5V	More than 2.5KΩ
DC 0~10V	More than 5KΩ

DIMENSION



BLOCK DIAGRAM



General Specifications

ANALOG TO PULSE CONVERTER 直流/PULSE 變換器



This instrument is a analog to pulse signal converter with isolated signal / output to convert DC current or DC voltage signals into pulse signals.

Input and Output power select separated each isolation circuit. In the mounting method is PLUG-IN mounting.

SPECIFICATIONS

ITEMS	DESCRIPTIONS
INPUT	DC Current or DC Voltage signal
OUTPUT	Open Collector, Voltage Pulse
OUTPUT RATING	DC24V 50mA Max
OUTPUT FREQUENCY	Less than 1KHz
ACCURACY	±0.2% Max
TEMP. COEFFICIENT	±0.02% / °C
INSULATION RESISTANCE	Greater than 100MΩ at DC 500V
DIELECTRIC - STRENGTH	Input - Power AC 1,500V
	Input - Output AC 1,500V 1 Minute
POWER SUPPLY	AC 110 / AC 220V ± 10%, 50/60Hz 3.5VA
AMBIENT - TEMP	-5 ~ +55°C (23 ~ 131 °F)
HUMIDITY	Less than 90% RH (no condensation)
CASE MATERIAL	ABS
COLOR	Black
WEIGHT	About 400g
DIMENSION	W50 X H80 X D128mm
MOUNTING	DIN RAIL

ORDERING CODE

MODEL : DPAP -

• INPUT SIGNAL

- | | |
|------------------|------------------|
| 1. 0~1mA DC | A. 0~10mV DC |
| 2. 0~10mA DC | B. 0~100mV DC |
| 3. 0~16mA DC | C. 0~1V DC |
| 4. 0~20mA DC | D. 0~5V DC |
| 5. 1~5mA DC | E. 0~10V DC |
| 6. 2~10mA DC | F. 1~5V DC |
| 7. 4~20mA DC | Z. Other Voltage |
| 0. Other Current | |

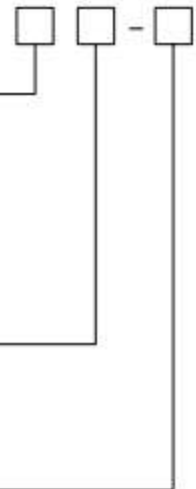
• OUTPUT SIGNAL

1. Open Collector
2. Voltage Pulse
3. Other

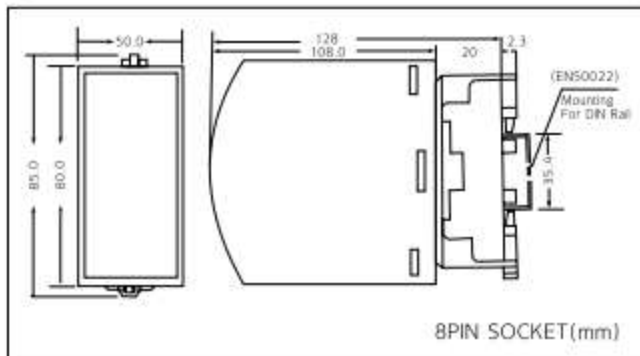
• POWER SUPPLY

1. AC 110V
2. AC 220V

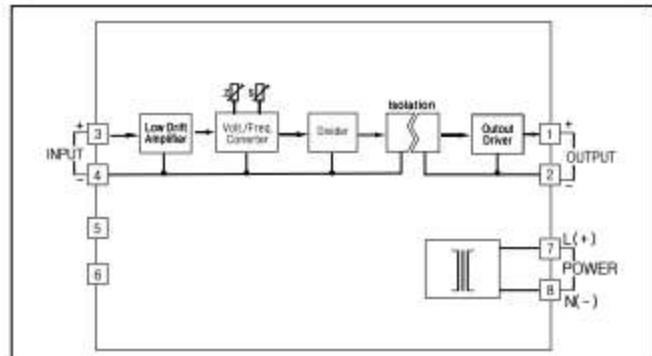
* Please Specify the Input Range When you Order.



DIMENSION



BLOCK DIAGRAM



General Specifications

PULSE TO ANALOG CONVERTER PULSE/直流 變換器



This instrument has a various pulse signals as an input then converts it into DC current and voltage signals to output.

Also it is a converter that an input, an output and a power are isolated electrically.

In the mounting method is PLUG-IN mounting.

CE

SPECIFICATIONS

ITEMS	DESCRIPTIONS
INPUT	Dry Contact, Open Collector, Voltage pulse
DETECTING CURRENT	30mA Max, DC12V
OUTPUT	DC Current or DC Voltage Signal
ACCURACY	±0.2% Max
TEMP. COEFFICIENT	±0.02% / °C
INSULATION RESISTANCE	Greater than 100MΩ at DC 500V
DIELECTRIC - STRENGTH	Input - Power AC 1,500V
	Input - Output AC 1,500V 1 Minute
POWER SUPPLY	AC 110 / AC 220V ± 10%, 50/60Hz 3.5VA
AMBIENT - TEMP	-5 ~ +55°C (23 ~ 131 °F)
HUMIDITY	Less than 90% RH (no condensation)
CASE MATERIAL	ABS
COLOR	Black
WEIGHT	About 400g
DIMENSION	W50 X H80 X D128mm
MOUNTING	DIN RAIL

ORDERING CODE

MODEL : DPPA -

INPUT SIGNAL

1. Dry Contact (Max, 130pulse / 1min)
2. Open Collector (Max, Frequency 10KHz)
3. Voltage Pulse (Max, Frequency 10KHz)
4. Others

OUTPUT SIGNAL

- | | |
|--------------------------------------|------------------|
| 1. 0~1mA DC | A. 0~10mV DC |
| 2. 0~10mA DC | B. 0~100mV DC |
| 3. 0~16mA DC | C. 0~1V DC |
| 4. 0~20mA DC | D. 0~5V DC |
| 5. 1~5mA DC | E. 0~10V DC |
| 6. 2~10mA DC | F. 1~5V DC |
| 7. 4~20mA DC | Z. Other Voltage |
| 0. Other Current
(Less than 20mA) | (Less than 12V) |

POWER SUPPLY

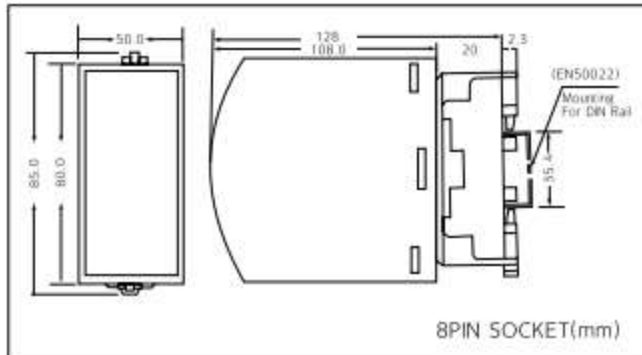
1. AC 110V
2. AC 220V

* Please Specify the Input Range When you Order.

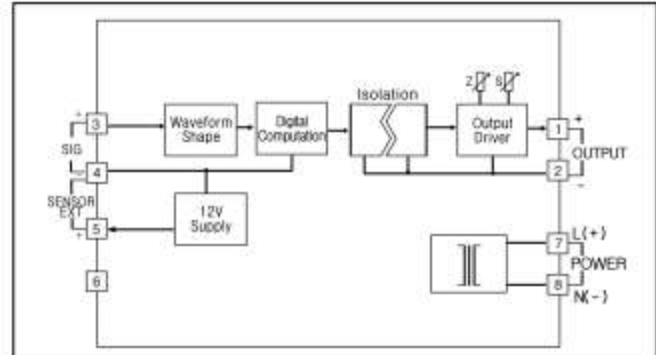
OUTPUT LOAD RESISTANCE

OUTPUT SIGNAL	LOAD RESISTANCE
DC 4~20mA	Less than 600Ω
DC 1~5V	More than 2.5KΩ
DC 0~10V	More than 5KΩ

DIMENSION



BLOCK DIAGRAM



General Specifications

PULSE TO PULSE ISOLATOR PULSE/PULSE 絶縁變換器



CE

This instrument has an input such as an open collector or dry contact type of a flowmeter then eliminate a noise in a stable circuit.

This high and accurate convert divides those kinds of signals. In the mounting method is PLUG-IN mounting.

SPECIFICATIONS

ITEMS	DESCRIPTIONS
INPUT	Dry Contact, Open Collector, Voltage pulse
CONTACT DETECTING	DC 12V, 30mA Max
OUTPUT	Relay Contact Open Collector
OUTPUT RATING	AC 110V 1A DC 24V 110mA
RESPONSE TIME	35ms 10ms
INPUT IMPEDANCE	More than 100K Ω
ACCURACY	$\pm 0.5\%$ Max.
TEMP. COEFFICIENT	$\pm 0.02\%$ / $^{\circ}\text{C}$
INSULATION RESISTANCE	Greater than 100M Ω at DC 500V
DIELECTRIC - STRENGTH	Input - Power AC 1,500V
	Input - Output AC 1,500V 1 Minute
POWER SUPPLY	AC 110 / AC 220V $\pm 10\%$, 50/60Hz 3.5VA
AMBIENT - TEMP	-5 ~ +55 $^{\circ}\text{C}$ (23 ~ 131 F)
HUMIDITY	Less than 90% RH (no condensation)
CASE MATERIAL	ABS
COLOR	Black
WEIGHT	About 400g
DIMENSION	W50 X H80 X D128mm
MOUNTING	DIN RAIL

ORDERING CODE

MODEL : DPPI -

• INPUT SIGNAL

1. Dry Contact (Max, 130pulse / 1Min)
2. Open Collector (Max, Frequency 10KHz)
3. Voltage Pulse (Max, Frequency 10KHz)

• OUTPUT SIGNAL

1. Relay Contact (Max, 130pulse / 1Min)
2. Open Collector (Max, Frequency 1KHz)
3. Voltage Pulse (Max, Frequency 1KHz)

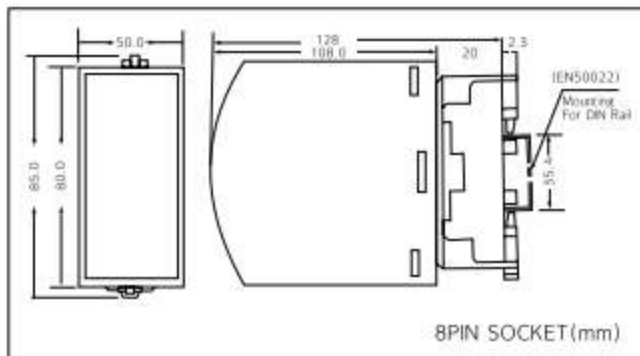
• POWER SUPPLY

1. AC 110V 2. AC 220V

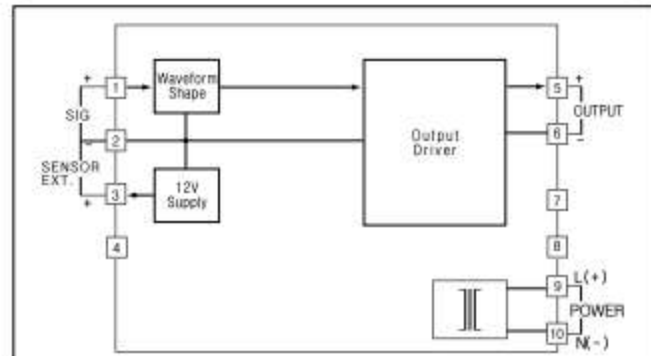
* Please Specify the Input Range When you Order.



DIMENSION



BLOCK DIAGRAM



General Specifications

POWER DISTRIBUTOR

傳送器用 電源 (非絶縁)



CE

This instrument is a high accurate converter which provides simultaneously power supply and signal conversion to all transmitter such as pressure transmitter, flow transmitter, level transmitter, etc and also contains over current and over voltage protection circuit inside.

In the mounting method is PLUG-IN mounting.

SPECIFICATIONS

ITEMS	DESCRIPTIONS
OUTPUT RATING SUPPLY TO X' TR	DC 24V 30mA Max, Ripple : less than 0.1Vp-p
OUTPUT	DC Current or DC Voltage signal
ACCURACY	±0.3% Max.
TEMP. COEFFICIENT	±0.02% / °C
RESPONSE TIME	Less than 0.5Sec (0~90%)
INSULATION RESISTANCE	Greater than 100MΩ at DC 500V
DIELECTRIC - STRENGTH	Input - Power AC 1,500V
	Output - Power AC 1,500V
	1 Minute
POWER SUPPLY	AC 110 / AC 220V ± 10%, 50/60Hz 3.5VA
AMBIENT - TEMP	-5 ~ +55°C (23 ~ 131 °F)
HUMIDITY	Less than 90% RH (no condenstation)
CASE MATERIAL	ABS
COLOR	Black
WEIGHT	About 400g
DIMENSION	W50 X H80 X D128mm
MOUNTING	DIN RAIL

ORDERING CODE

MODEL : DPPD -

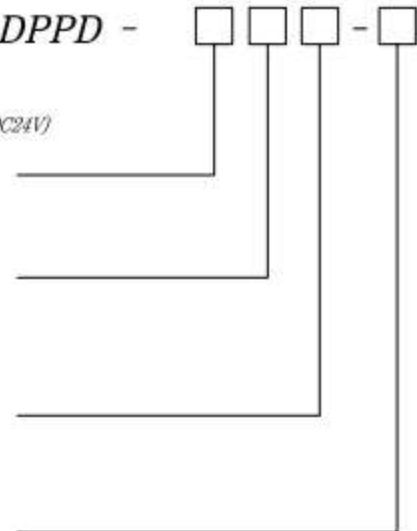
• INPUT SIGNAL
DC 4~20mA (2-Wire DC24V)

• CHANNEL
1, 1Point

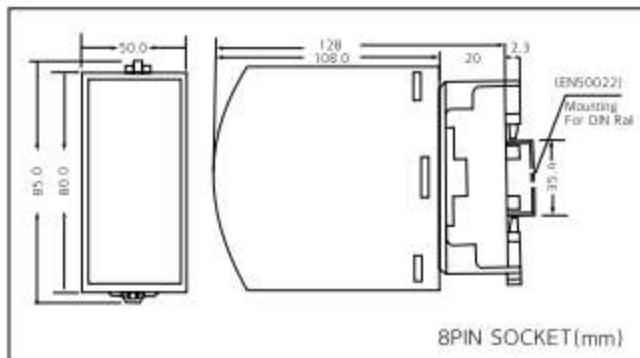
• OUTPUT RATING (X' TR SUPPLY)
A, DC 24V use
B, Other

• OUTPUT SIGNAL
F, 1~5V DC
7, 4~20mA DC

• POWER SUPPLY
1, AC 110V 2, AC 220V

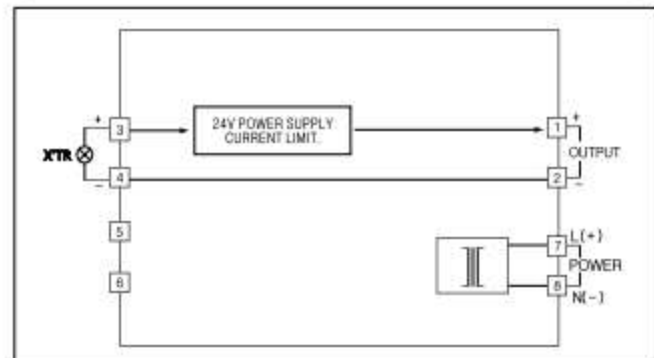


DIMENSION



8PIN SOCKET (mm)

BLOCK DIAGRAM



General Specifications

POWER DISTRIBUTOR WITH SQUARE ROOT EXTRACTOR 傳送器用電源(√)



This instrument is high and accurate converter that provides all transmitters such as a pressure transmitter, a flow transmitter and a level transmitter with power supply and signal conversion. Also, It contains a protection circuit for over current and over voltage inside. It has a calculation function linear compensated the root scale of current output according to the flow characteristic. In the mounting method is PLUG-IN mounting.

SPECIFICATIONS

ITEMS	DESCRIPTIONS
OUTPUT RATING SUPPLY TO X'TR	DC 24V 30mA Max, Ripple : less than 0.1Vp-p
INPUT SIGNAL	Square Root
ACCURACY	±0.3% Max
TEMP. COEFFICIENT	±0.02% / °C
RESPONSE TIME	Less than 0.5Sec (0~90%)
INSULATION RESISTANCE	Greater than 100MΩ at DC 500V
DIELECTRIC - STRENGTH	Input - Power AC 1,500V
	Input - Output AC 1,500V
	1 Minute
POWER SUPPLY	AC 110 / AC 220V ± 10%, 50/60Hz 4VA
AMBIENT - TEMP	-5 ~ +55°C (23 ~ 131 °F)
HUMIDITY	Less than 90% RH (no condensation)
CASE MATERIAL	ABS
COLOR	Black
WEIGHT	About 400g
DIMENSION	W50 X H80 X D128mm
MOUNTING	DIN RAIL

ORDERING CODE

MODEL : DPPQ -

• INPUT SIGNAL

DC 4~20mA (2-Wire DC24V)

• OUTPUT SIGNAL

F, 1~5V DC 7, 4~20mA DC
Z, Other Voltage 0, Other Current
(Less than 12V) (Less than 20mA)

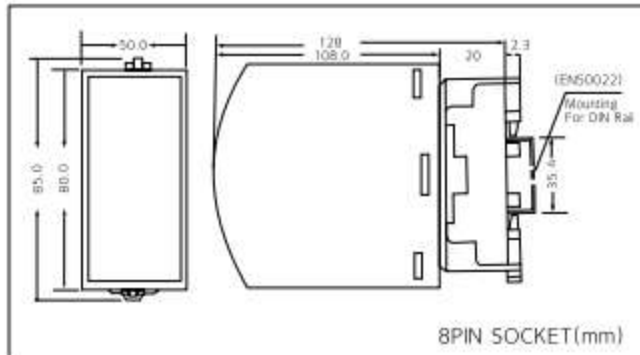
• POWER SUPPLY

1, AC 110V 2, AC 220V

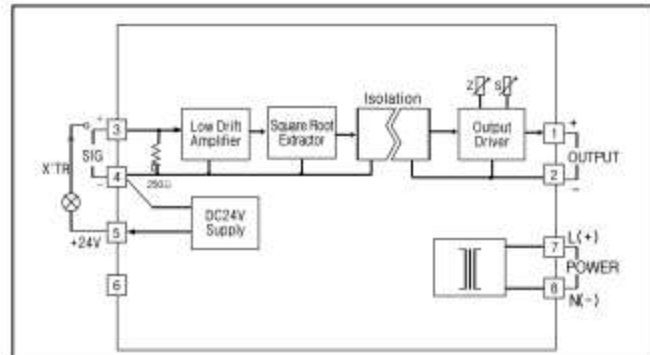
■ OUTPUT LOAD RESISTANCE

OUTPUT SIGNAL	LOAD RESISTANCE
DC 4~20mA	Less than 600Ω
DC 1~5V	More than 2.5KΩ
DC 0~10V	More than 5KΩ

DIMENSION



BLOCK DIAGRAM



General Specifications

ISOLATED LOOP POWER TRANSMITTER

2線式 信號變換器



This is a high and accurate converter which provides all transmitters which power supply and signal conversion simultaneously. It is possible to design loop freely and synthetically using Isolator and Power Distributor of all instruments.

In the mounting method is PLUG-IN mounting.

CE

SPECIFICATIONS

ITEMS	DESCRIPTIONS
OUTPUT RATING SUPPLY TO X'TR	DC 24V 30mA Max, Ripple : less than 0.1Vp-p
ACCURACY	±0.2% Max.
TEMP. COEFFICIENT	±0.015% / °C
RESPONSE TIME	Less than 0.5Sec (0~90%)
INSULATION RESISTANCE	Greater than 100MΩ at DC 500V
DIELECTRIC - STRENGTH	Input - Power AC 1,500V
	Input - Output AC 1,500V 1 Minute
POWER SUPPLY	AC 110 / AC 220V ± 10%, 50/60Hz 4VA
AMBIENT - TEMP	-5 ~ +55°C (23 ~ 131 °F)
HUMIDITY	Less than 90% RH (no condensation)
CASE MATERIAL	ABS
COLOR	Black
WEIGHT	About 400g
DIMENSION	W50 X H80 X D128mm
MOUNTING	DIN RAIL
OUTPUT LOAD RESISTANCE	0~1200Ω (at 36V DC Supply) Supply V-12V / 0.02A

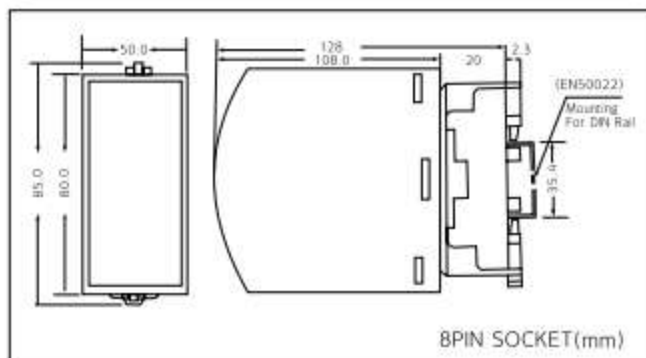
ORDERING CODE

MODEL : DPLP -

- **INPUT SIGNAL**
DC 4~20mA (2-Wire DC24V)
- **OUTPUT SIGNAL**
4~20mA DC
Supply Voltage : DC 12V ~ 36V
- **POWER SUPPLY**
1, AC 110V 2, AC 220V



DIMENSION



8PIN SOCKET(mm)

BLOCK DIAGRAM

