

Safety pattern type remote reading thermometer solid-front turret style thermoplastic case

Model : T360

Spec. sheet no. TD03-02

Service intended

This thermometer is used for measuring temperature of corrosive and non-corrosive fluid in all industries. It operates in aggressive and non-aggressive environment. Linear dials and temperature compensate line assure an accurate temperature indication at varying ambient conditions.

Nominal diameter

125 mm

Accuracy

±2.0% of full scale

Measuring system (SAMA class IIIB)

Organic gas : 0 ~ 200 °C

Inert gas : -200 ~ 700 °C

Working range

Maximum scale value



Standard features

Location of stem and mounting

Bottom connection, surface, case mounting lugs
Lower back connection, surface, case mounting lugs

Case and cover

Black glass reinforced thermoplastic (PBTB)
Solid front, blow-out back
Turret style case with built in rear flange lugs

Capillary

Capillary : 1.6/0.2 mm, 316SS
Armored tube : 7.5/5.5 mm, 304SS

Window

Polycarbonate

Dial

White aluminium with black graduation

Pointer

Black painted aluminium alloy

Stem

8.0, 10.0 and 12.0 mm
316SS and 316L SS

Stem, process connection

3/8", 1/2", 3/4" PT, NPT and PF

Option

Special accuracy, ±1.0 % of full scale

Main order

Ordering information

1. Base model

T360 Safety pattern type remote reading thermometer
solid-front turret style thermoplastic case

2. Nominal diameter (mm)

5 125

3. Type of mounting

B Bottom connection, surface, case mounting lugs
L Lower back connection, surface, case center mounting lugs

4. Stem material

1 316SS
2 316L SS

5. Stem, process connection

A None
D 3/8"
E 1/2"
F 3/4"

6. Stem connection type (CF: Compression fitting)

A None
E CF + PT
F CF + NPT
G CF + PF
H MT + PT (Movable thread)
I MT + NPT (Movable thread)
J MT + PF (Movable thread)

7. Stem outer diameter (mm)

2 8.0
3 10.0
4 12.0
Z Other

8. Range

XXX Refer to scale range table

9. Capillary length (m)

P 2
Q 3
S 5
V 8
X 10
Z Other

10. Accessories

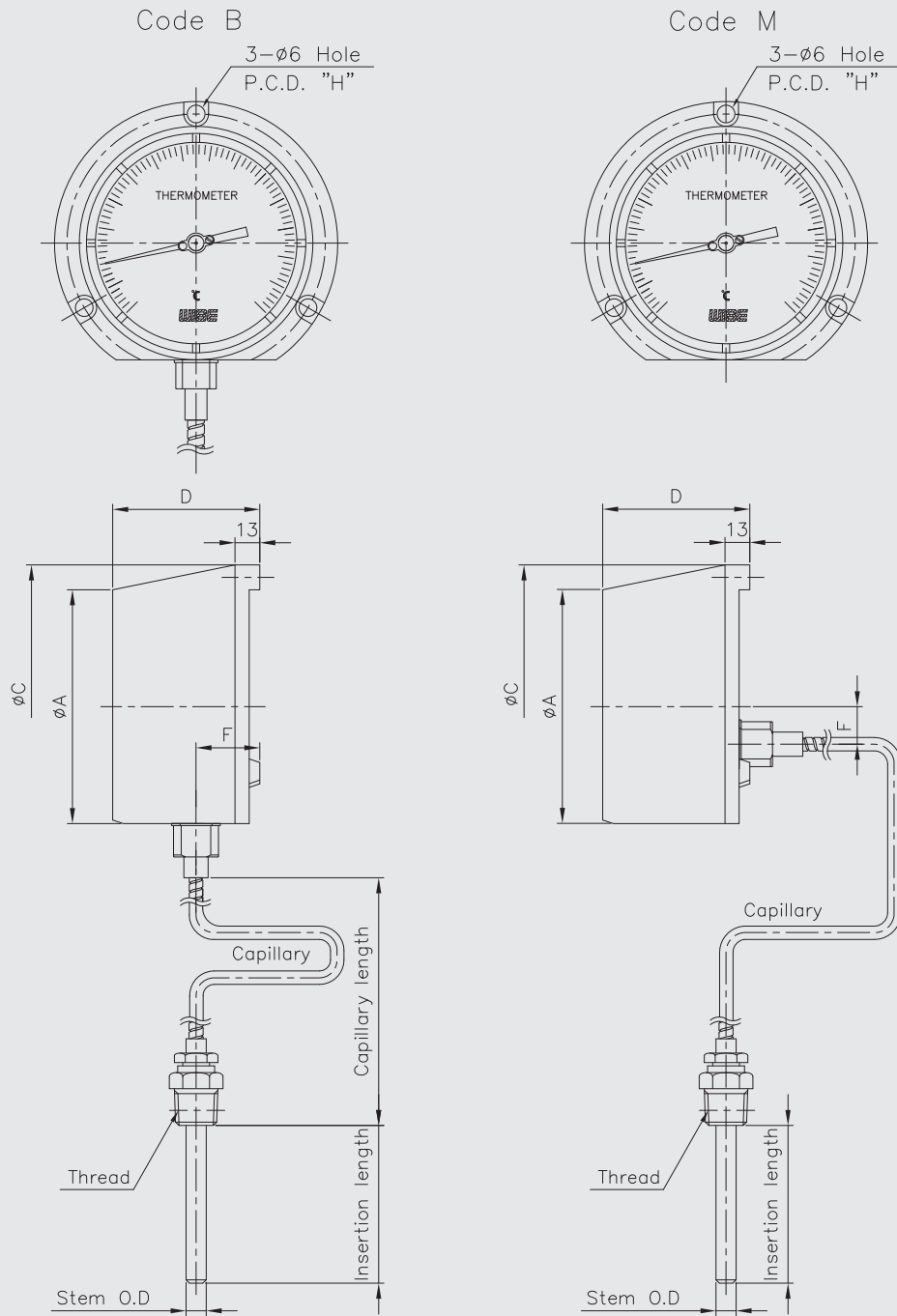
0 None
1 Thermowell
S Special accuracy (± 1.0 % of full scale)
T Thermowell and special accuracy

| | | | | | | | | | |
|------|---|---|---|---|---|---|-----|---|----|
| 1 | 2 | 3 | 4 | 5 | 6 | 7 | 8 | 9 | 10 |
| T360 | 5 | B | 1 | E | C | 2 | XXX | P | 1 |

Sample
ordering code

WISE[®]

T360 : Type of mounting



Dimensions (mm)

| Dial Size | Available code | A | C | D±2 | F±1 | H |
|-----------|----------------|-----|-------|------|------|-------|
| 125 | B | 129 | 149.5 | 82.5 | 37.5 | 137.5 |
| | L | 129 | 149.5 | 82.5 | 27 | 137.5 |

Scale ranges

| Code | Scale range (°C) | Scale spacing(°C) | Minimum stem length (mm) | | | Standard stem length (mm) | | |
|------|------------------|-------------------|--------------------------|------|------|---------------------------|------|------|
| | | | 8.0 | 10.0 | 12.0 | 8.0 | 10.0 | 12.0 |
| 031 | -200 ~ 100 | 5 | 100 | 85 | 65 | 200 | 130 | 100 |
| 032 | -50 ~ 50 | 2 | 100 | 85 | 65 | 200 | 130 | 100 |
| 037 | -50 ~ 100 | 5 | 100 | 88 | 65 | 200 | 130 | 100 |
| 054 | -30 ~ 50 | 2 | 100 | 85 | 65 | 200 | 130 | 100 |
| 059 | -30 ~ 100 | 2 | 100 | 85 | 65 | 200 | 130 | 100 |
| 061 | -30 ~ 120 | 5 | 100 | 85 | 65 | 200 | 130 | 100 |
| 069 | -20 ~ 50 | 2 | 100 | 85 | 65 | 200 | 130 | 100 |
| 074 | -20 ~ 100 | 2 | 100 | 85 | 65 | 200 | 130 | 100 |
| 079 | -20 ~ 150 | 5 | 100 | 85 | 65 | 200 | 130 | 100 |
| 084 | -10 ~ 50 | 1 | 100 | 85 | 65 | 200 | 130 | 100 |
| 099 | 0 ~ 50 | 1 | 100 | 85 | 65 | 200 | 130 | 100 |
| 100 | 0 ~ 60 | 1 | 100 | 85 | 65 | 200 | 130 | 100 |
| 101 | 0 ~ 70 | 2 | 100 | 85 | 65 | 200 | 130 | 100 |
| 102 | 0 ~ 80 | 2 | 100 | 85 | 65 | 200 | 130 | 100 |
| 104 | 0 ~ 100 | 2 | 100 | 85 | 65 | 200 | 130 | 100 |
| 106 | 0 ~ 120 | 2 | 100 | 85 | 65 | 200 | 130 | 100 |
| 109 | 0 ~ 150 | 5 | 100 | 85 | 65 | 200 | 130 | 100 |
| 114 | 0 ~ 200 | 5 | 100 | 85 | 65 | 200 | 130 | 100 |
| 119 | 0 ~ 250 | 5 | 100 | 85 | 65 | 200 | 130 | 100 |
| 124 | 0 ~ 300 | 5 | 100 | 85 | 65 | 200 | 130 | 100 |
| 129 | 0 ~ 350 | 5 | 100 | 85 | 65 | 200 | 130 | 100 |
| 134 | 0 ~ 400 | 10 | 100 | 85 | 65 | 200 | 130 | 100 |
| 144 | 0 ~ 500 | 10 | 100 | 85 | 65 | 200 | 130 | 100 |
| 154 | 0 ~ 600 | 10 | 100 | 85 | 65 | 200 | 130 | 100 |
| 164 | 0 ~ 700 | 10 | 100 | 85 | 65 | 200 | 130 | 100 |

* 0 ~ 700 °C/Special range

* -200 ~ 100 °C/Special range

Insertion length

| Code | 1 | 2 | 3 | 4 | 5 | 6 | 7 | 8 | 9 | A | B | C |
|-------------|----|----|----|----|-----|-----|-----|-----|-----|-----|-----|-----|
| Length (mm) | 50 | 60 | 70 | 80 | 100 | 120 | 130 | 150 | 175 | 200 | 225 | 250 |

| Code | D | E | F | G | H | J | K | L | M | N | P |
|-------------|-----|-----|-----|-----|-----|-----|-----|-----|-------|-------|-------|
| Length (mm) | 275 | 300 | 350 | 375 | 400 | 450 | 500 | 550 | 1,000 | 1,500 | 2,000 |