

## Duplex pressure gauge

**Model : P336 series – Round type**

**Model : P338 series – Square type**

Spec. sheet no. PD03-02

### Service intended

P336 and P338 series offer dual air brake system, differential pressure indication and it can be used for any other application where two independent pressures are indicated on a single dial.

EAC

### Nominal diameter

100 mm (P336)

110 mm (W) x 110 mm (H) (P338)

### Accuracy

±1.5 % of full scale

### Scale range (MPa, kPa, bar)

0 ~ 0.4 to 0 ~ 3.5 MPa (P336)

0 ~ 1 and 0 ~ 1.2 MPa (P338)

### Working pressure

Steady : 75 % of full scale

Over range protection : 130 % of full scale

### Working temperature

Ambient : -40 ~ 65 °C

Fluid : Max. 200 °C

### Temperature effect

Accuracy at temperature above and below the reference temperature (20 °C) will be effected by approximately ±0.4 % per 10 °C of full scale



Model : P336



Model : P338

## Standard features

### Pressure connection

Stainless steel (316SS)

### Movement

Brass

### Element

Stainless steel (316SS)

### Dial

White aluminium with black graduations

### Case

Black painted aluminium

### Cover

Black painted aluminium (P336)

ABS resin (P338)

### Pointer

Black painted aluminium alloy

### Window

Safety glass (P336)

Polycarbonate (P338)

### Process connection

3/8" PF

**WISE**<sup>®</sup>

| P336.P338\_01

**1. Base model**

- P336** Duplex pressure gauge, round type  
**P338** Duplex pressure gauge, square type

**2. Nominal diameter (mm)**

- 4** 100, round type  
**9** 110 (W) x 110 (H), square type

**3. Type of mounting**

- A** Bottom connection, direct, only available with round type  
**B** Bottom connection, surface, case mounting plate, only available with round type  
**E** Bottom connection, surface, case mounting plate, only available with round type  
**G** Lower back connection, direct  
**M** Lower back connection, flush, case center mounting bracket, only available with round type

**4. Accuracy**

- 4** ±1.5 % of full scale

**5. Process connection**

- D** 3/8"

**6. Connection type**

- B** PF

**7. Unit**

- H** bar  
**I** MPa  
**J** kPa

**8. Range**

- 044** 0 ~ 0.4 MPa, not available with square type  
**045** 0 ~ 0.6 MPa, not available with square type  
**047** 0 ~ 1 MPa  
**049** 0 ~ 1.2 MPa, only available with square type  
**050** 0 ~ 1.5 MPa, not available with square type  
**051** 0 ~ 2 MPa, not available with square type  
**052** 0 ~ 2.5 MPa, not available with square type  
**054** 0 ~ 3.5 MPa, not available with square type

**9. Dial color**

- 2** 2 colors  
**7** 3 colors

**10. Option**

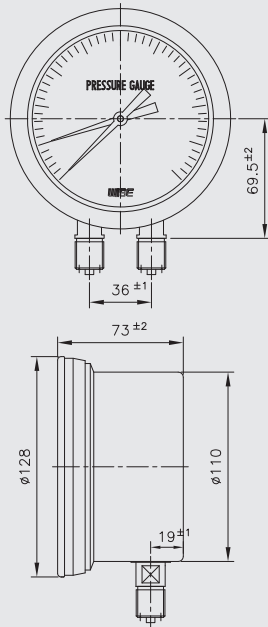
- 0** None  
**1** Accessories  
**2** Short connection (Only P338)  
**4** Orifice  
**5** Accessories and orifice  
**6** Short connection and orifice (Only P338)

1	2	3	4	5	6	7	8	9	10
P336	4	A	4	D	B	H	044	2	0

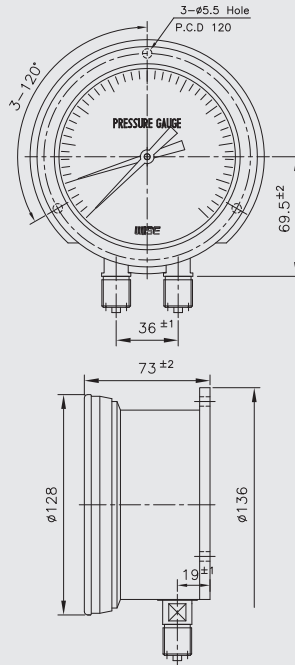
Sample  
ordering code

# P33X : Type of mounting

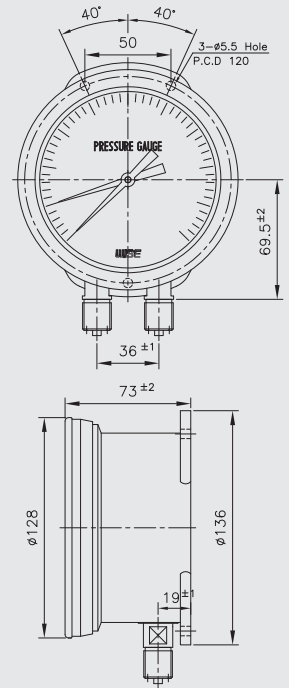
Code A



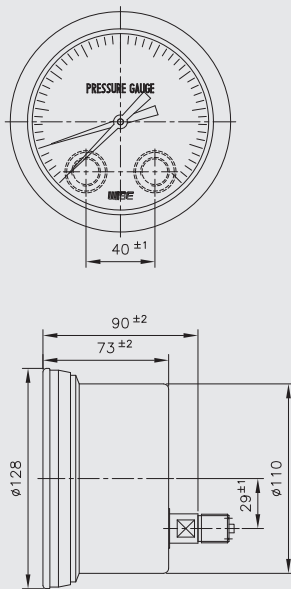
Code B



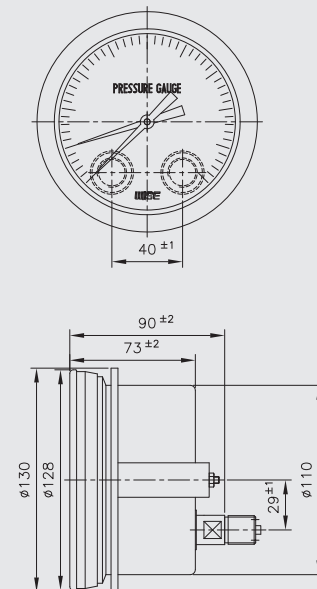
Code E



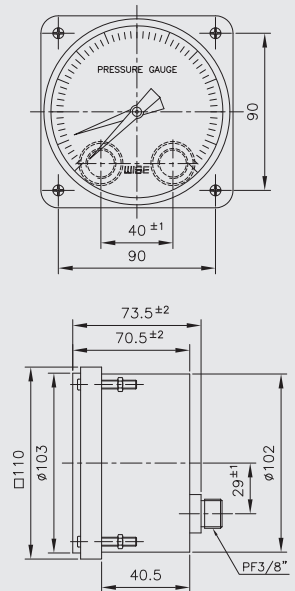
Code G



Code M



Code G\* (P338)



## Conversion table

### Pressure conversion chart

psi	atm	kgf/cm <sup>2</sup>	inH <sub>2</sub> O	mmHg	inHg	kPa	bar	mmH <sub>2</sub> O
1	0.068046	0.070307	27.7276	51.715	2.03602	6.835	0.06895	704.28104
14.696	1	1.0332	407.484	760	29.921	101.325	1.01325	10350.0936
14.2233	0.96784	1	394.38	735.559	28.959	98.096	0.98067	10,000
0.036092	0.002454	0.00253	1	1.8651	0.07343	0.249	0.00249	25.4
0.019336	0.001315	0.001359	0.53616	1	0.03937	0.1333	0.001333	13.618464
0.491154	0.0033421	0.03453	13.6185	25.4	1	3.3864	0.033864	345.9099
0.145	0.00987	0.010197	4.0186	7.5006	0.2953	1	0.01	102.07244
14.5038	0.98692	1.01972	402.156	750.062	29.53	100	1	10214.7624
0.00142	0.000097	0.0001	0.03937	0.0734	0.0029	0.0098	0.000098	1

### Volume conversion chart

Gallon (U.S)	Cubic feet	Cubic inches	Barrels (Oil)	Cubic cm	Cubic meter	Liter	IMP. Gallon
1	0.1337	231	0.02381	3,785	0.003785	3.785	0.8327
7.481	1	1,728	0.1781	28,320	0.02832	28.32	6.229
0.004329	0.000578	1	0.000103	16.39	0.000016	0.01639	0.003605
42	5.615	9,702	1	159,000	0.159	158.94	34.97
0.000264	0.000035	0.06102	0.000006	1	0.000001	0.001	0.00022
264.17	35.3144	61,023	6.2906	1,000,000	1	1,000	220.1
0.264	0.0353	61.03	0.0629	1,000	0.001	1	0.22
1.201	0.1606	277.4	0.0286	4,546	0.004546	4.546	1

### Mass conversion chart

lb.	oz.	kg	gm	gal H <sub>2</sub> O (32F)	Long ton	Metric tonne	ton
1	16	0.4536	453.6	0.1198	0.000446	0.000453	0.0005
0.0625	1	0.02835	28.35	0.00749	0.000027	0.000028	0.000031
2.205	35.27	1	1,000	0.2642	0.009839	0.001	0.001102
0.002205	0.03527	0.001	1	0.00264	0.000000	0.000001	0.000001
8.345	133.5	3.785	3,785	1	0.003726	0.003786	0.004171
2,240	35,840	1016.4	1,016,363	268.352	1	1.016	1.12
2,204.6	35,273	1,000	1,000,000	264.11	0.9842	1	1.1023
2,000	32,000	907.03	909,090.9	239.7	0.892857	0.907194	1

### Density conversion chart

lb / ft <sup>3</sup>	gm / cm <sup>3</sup>	ka / m <sup>3</sup>	lb / in <sup>3</sup>
1	0.016018	16.0184	0.000578
62.43	1	1,000	0.03613
0.06243	0.001	1	0.000036
1728	27.68	27,679.8	1