

Gauge protector

Model : A070

Spec. sheet no. AD00-07

Service intended

It is used for protecting the gauges from over pressure.
The gauge protector closes at the adjusted set-point pressure.



Accuracy

±10% of setting pressure

Standard features

Max. working pressure

Stainless steel

- Code M, N, H, U : Up to 25 MPa, at 20 °C, G½"
- Code B, P, L : Up to 10 bar, at 20 °C, G½"

Max. working temperature

80 °C

※ This product's Max. working temperature could be varied depending on its working pressure and temperature.



Main order

Ordering information

1. Base model

A070 Gauge protector

2. Pressure

- B** 1 ~ 3 kPa
- P** 3 ~ 15 kPa
- L** 15 ~ 50 kPa
- M** 40 ~ 60 kPa
- N** 60 kPa ~ 0.3 MPa
- H** 0.3 ~ 4 MPa
- U** 4 ~ 25 MPa

3. Material

- D** 316SS
- F** 316L SS
- G** Monel
- H** Hastelloy-C
- Z** Other

4. Gauge connection size

- 1** ⅜"
- 2** ½"
- 9** Other

5. Gauge connection type

- A** PF
- B** PT
- C** NPT
- G** BSP (G)
- Z** Other

6. Process connection size

- C** ⅜"
- D** ½"
- Z** Other

7. Process connection type

- G** PF
- H** PT
- I** BSP (G)
- J** NPT
- Z** Other

8. Unused character

A0000 None

1	2	3	4	5	6	7	8
A070	P	D	1	A	C	G	A0000

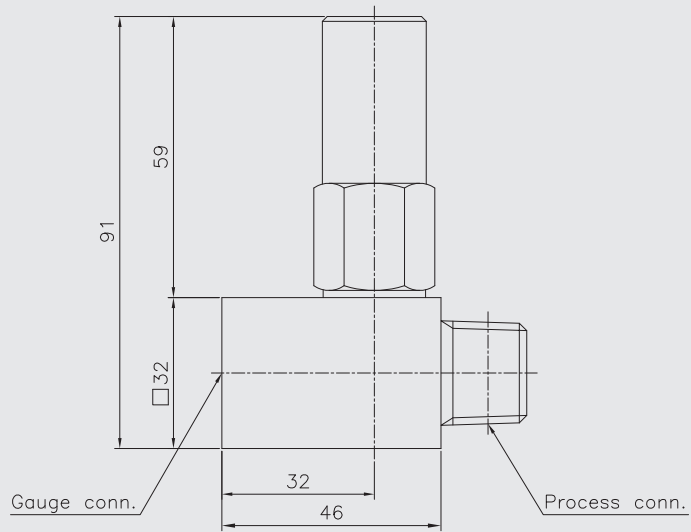
Sample
ordering code

WISE[®]

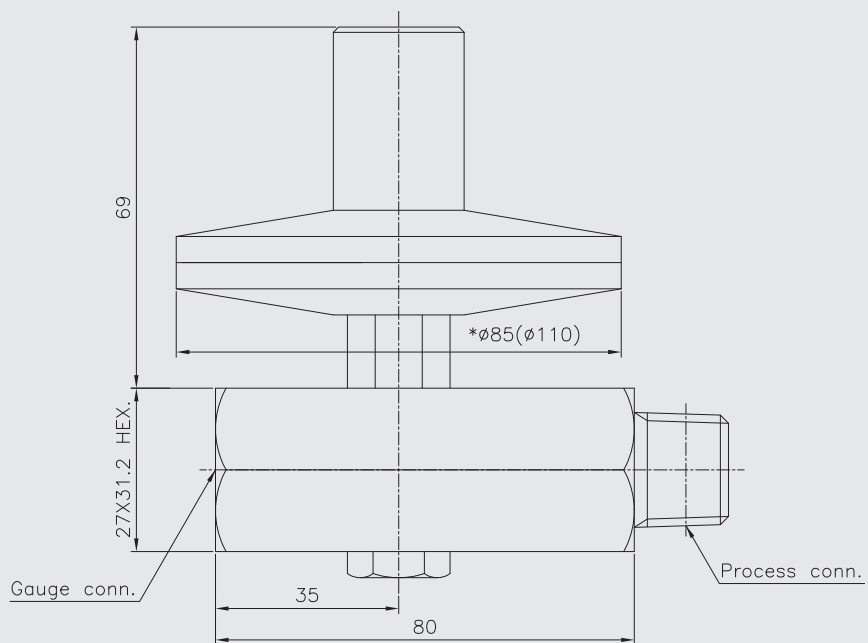
| A070_01

A070 : Type of mounting

Code M, N, H, U



Code B, P, L



*NOTE. Pressure 1~3kPa ($\phi 110$), 3~50kPa ($\phi 85$)