

Sanitary resistance temperature detector

Model : R231 single element
R232 double element

Spec. sheet no. RD02-04

Service intended

Sanitary RTDs can measure temperature from -50 to 200 °C. These sensors are available in Tri-clamp design with the immersion length from 50 to 250 mm. The wetted part of this assembly is polished to exceed No.4 minimum finish which is required by 3-A sanitary council standard #74-06.



Element

Pt 100 Ω at 0 °C
TCR : 3,850 ppm/k

Tolerances on temperature reading

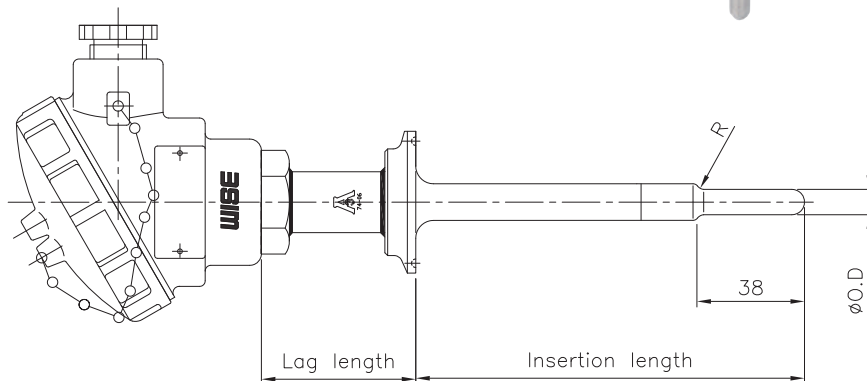
Class A : $\pm (0.15 + 0.002 |t|)$
Class B : $\pm (0.3 + 0.005 |t|)$
* t : Reading temperature (°C)

Element and lead wire configurations

Single element : 2, 3 and 4 wire
Double element : 4 and 6 wire



Outline drawing



Standard features

Head type

Weatherproof (304SS)

Process connection

Tri - clamp connection
1, 1½ and 2S

Stem material

304SS, 316SS

Main order

Ordering information

1. Base model

- R231** Sanitary resistance temperature detector
(Single element)
- R232** Sanitary resistance temperature detector
(Double (Duplex) element)

2. Head type

- A** General (Weatherproof)
- P** Other

3. Element (Tolerance)

- Q** Pt 100 Ω (B)
- 9** Pt 100 Ω (A)

4. Insertion material

- 0** 304SS
- 1** 316SS
- 9** Other

5. Insertion outer diameter (mm)

- F9** 6.4
- G9** 8.0
- J9** 10.0
- K9** 12.0

6. Conduit connection

- 1** ½" PF
- 2** ½" PT
- 3** ½" NPT
- 4** ¾" PF
- 5** ¾" PT
- 6** ¾" NPT
- 7** None
- 8** M20 x 1.5P
- 9** Other

7. Lag length (mm)

- G** 80
- H** 100
- J** 150

8. Connection size and material

- T** 1S and 316SS
- V** 1½S and 316SS
- W** 2S and 316SS

9. Connection type

- A** Tri - clamp

10. Insert length (mm)

- A** 100
- B** 200
- C** 300
- D** 400
- E** 500
- F** 600
- G** 700
- H** 800
- J** 900
- K** 1,000

11. Option

- 0** None
- 1** Accessories

1	2	3	4	5	6	7	8	9	10	11
R231	A	Q	1	F9	1	G	T	A	A	0

Sample
ordering code