

Remote reading thermometer with full compensation

Model : T240

Spec. sheet no. TD02-10

Service intended

This temperature is used for measuring temperature of corrosive and non-corrosive fluid in all industries. It operates in aggressive and non-aggressive environment. Linear dials and temperature compensate line assure an accurate temperature indication at varying ambient conditions.

Nominal diameter

125 and 150 mm

Accuracy

- Indication error
Within ± 2.0 % of full scale at room temperature (20 °C)
- Ambient temperature
Within ± 2.0 % of full scale 15 °C

Measuring system

Organic gas : 0 ~ 300 °C

Working range

Maximum scale value

Compensation

Lead compensation



Standard features

Location of stem and mounting

Bottom connection, surface, case mounting
Bottom connection, direct

Case

Stainless steel (304SS)

Cover

Stainless steel (304SS)

Window

Glass

Dial

White aluminium with black graduation

Capillary

Capillary : 1.6/0.2 mm, 316SS
Armored tube : 7.5/5.5 mm, 304SS

Stem

8.0, 10.0 and 12.0 mm
316SS and 316L SS

Stem, process connection

$\frac{3}{8}$ ", $\frac{1}{2}$ ", $\frac{3}{4}$ " PT, NPT and PF

Option

Special accuracy : ± 1.0 % of full scale

Zero adjustment

Internal

1. Base model**T240** Remote reading thermometer with full compensation**2. Nominal diameter (mm)**

- 5 125
6 150

3. Type of mounting

- A** Bottom connection, direct
B Bottom connection, surface, case mounting plate

4. Stem material

- 1 316SS
2 316L SS

5. Stem, process connection

- A** None
D 3/8"
E 1/2"
F 3/4"

6. Stem connection type (CF: Compression fitting)

- A** None
E CF + PT
F CF + NPT
G CF + PF
H MT + PT (Movable thread)
I MT + NPT (Movable thread)
J MT + PF (Movable thread)

7. Stem outer diameter (mm)

- 2 8.0
3 10.0
4 12.0
Z Other

8. Range**XXX** Refer to scale range table**9. Capillary length (m)**

- A** Direct mounting type
P 2
Q 3
S 5
V 8
X 10
Z Other

10. Accessories

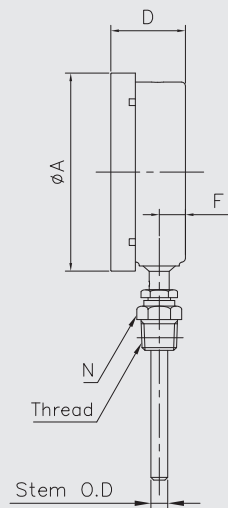
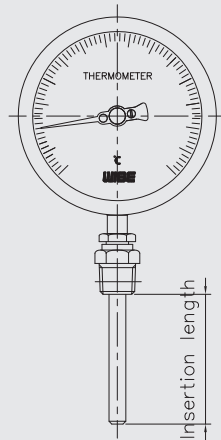
- 0** None
1 Thermowell
2 Special accuracy ($\pm 1.0\%$ of full scale)
3 Thermowell and special accuracy

1	2	3	4	5	6	7	8	9	10
T240	5	B	1	E	C	3	XXX	P	1

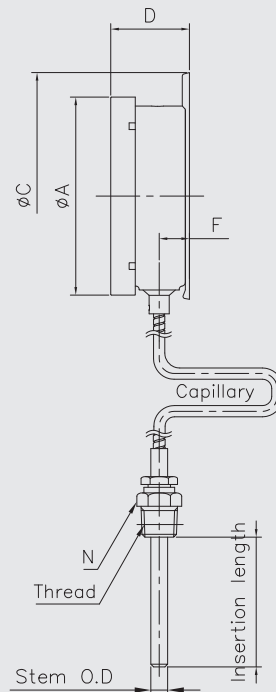
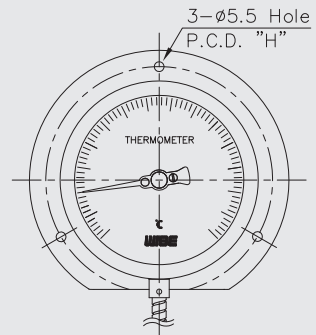
Sample
ordering code

T240 : Type of mounting

Code A



Code B



Dimensions (mm)

Dial Size	Available code	A	C	D	F	H
125	A	129.5		48.5	17	
	B	129.5	143	53	21.4	137.5
150	A	168.5		48.5	17	
	B	168.5	178	53	21.4	165

Scale ranges

Code	Scale range (°C)	Scale spacing (°C)	Minimum stem length (mm)		
			8.0	10.0	12.0
054	-30 ~ 50	1	X	140	90
059	-30 ~ 100	2	150	80	60
061	-30 ~ 120	5	150	80	60
069	-20 ~ 50	1	X	160	100
074	-20 ~ 100	2	150	80	60
079	-20 ~ 150	5	150	80	60
084	-10 ~ 50	1	X	180	110
099	0 ~ 50	1	X	190	120
100	0 ~ 60	1	X	180	110
101	0 ~ 70	1	X	160	100
102	0 ~ 80	1	X	140	90
104	0 ~ 100	1	180	100	70
106	0 ~ 120	2	150	80	60
109	0 ~ 150	2	150	80	60
114	0 ~ 200	5	150	80	60
119	0 ~ 250	5	150	80	60
124	0 ~ 300	5	150	80	60

Insertion length

Code	1	2	3	4	5	6	7	8	9	A	B	C
Length (mm)	50	60	70	80	100	120	130	150	175	200	225	250

Code	D	E	F	G	H	J	K	L	M	N	P
Length (mm)	275	300	350	375	400	450	500	550	1,000	1,500	2,000