

Sunshade

Model : A090

Spec. sheet no. AD00-10

Service intended

Sunshade provides the protection for instruments. It prevents the instrument calibration drift due to temperature changes caused by solar radiation. It can be mounted on a typical 2 inch stanchion pipe and it can be removed easily for full instrument access.

Application

Simple shielding of enclosures, instruments and fittings providing protection against

- Sun light
- Dirt accumulation
- Exposure to atmospheric conditions

Features

- Reduces the surface temperature of instruments or enclosure
- Minimizes instrument drift
- Operating temperature: -15~100 °C
- UV coating



Standard features

Type of sunshade (W x D x H)mm

- SS230 (230 x 370 x 125)
- SS280 (280 x 350 x 125)
- SS300 (300 x 350 x 170)
- SS400 (400 x 400 x 170)
- SS410 (410 x 350 x 170)

Main material

- Sunshade
 - GRP (Glass reinforced plastic), 3.5 t
 - FRP (Fiber reinforced plastic), 3.5 t
 - 304SS, 1.5 t
 - 316SS, 1.5 t
 - Carbon steel, 1.5 t
 - ABS, Roof and side (3 t)
 - Rear wall (5 t)
- Bracket
 - 304SS, 316SS and 316L SS

Mounting accessories

- Gauge bracket
- 2" U bolt
- Pipe band
- Stanchion pipe
- Special support plate

Bracket mounting position

- Back mounting
- Top mounting
- 2" U bolt mounting
- Pipe band mounting
- L-type mounting
- Special mounting

Option

- Anti electrostatic

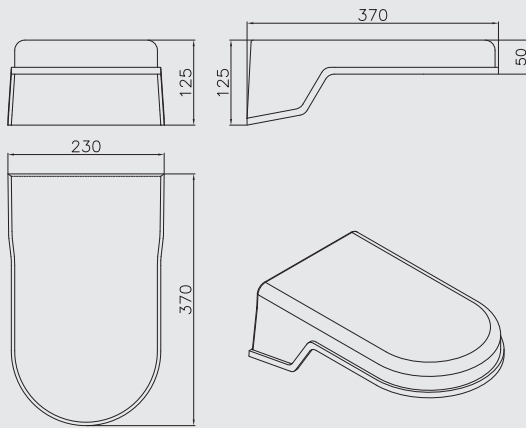
1. Base model**A090** Sunshade**2. Sunshade type (W x D x H) mm****SS230** 230 x 370 x 125**SS280** 280 x 350 x 125**SS300** 300 x 350 x 170**SS400** 400 x 400 x 170**SS410** 410 x 350 x 170**SS000** Other**3. Sunshade material****1** GRP**2** FRP**3** 304SS**4** 316SS**5** Carbon steel**6** ABS, only available with SS280**Z** Other**4. Gauge bracket size (mmØ)****0** None**1** 90**2** 93**3** 103**4** 130**5** Other**5. Gauge bracket material****0** None**1** 304SS**2** 316SS**3** 316L SS**Z** Other**6. Bracket mounting position****0** None**1** Back**2** Top**3** 2" U bolt**4** Pipe band**5** L-type**6** Special**7** Special 2" U bolt**Z** Other**7. Stanchion pipe****0** None**1** Carbon steel**2** 304SS**3** 316SS**4** Other**8. Unused character****0** None**1** Anti electrostatic

1	2	3	4	5	6	7	8
A090	SS230	1	1	3	1	1	0

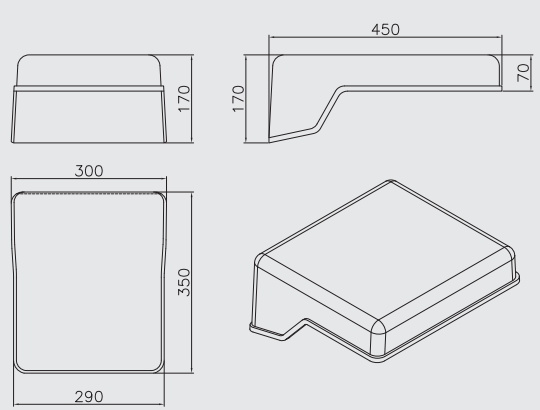
Sample
ordering code

A090 : Sunshade type and typical size

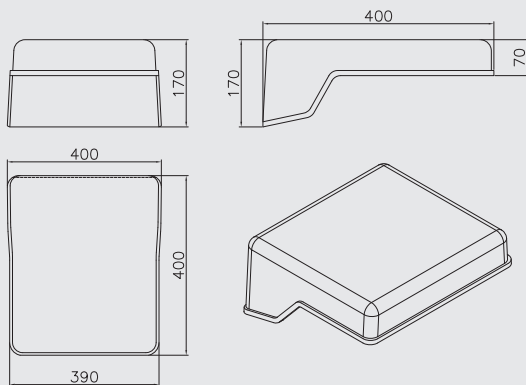
SS230



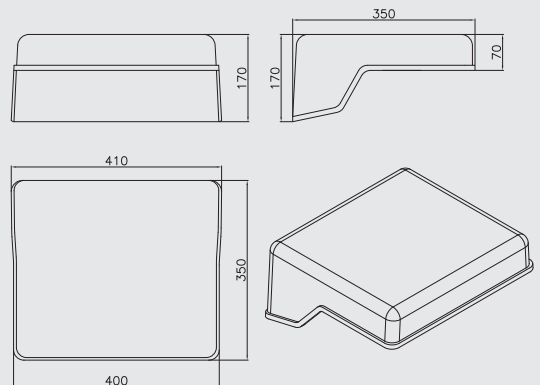
SS300



SS400

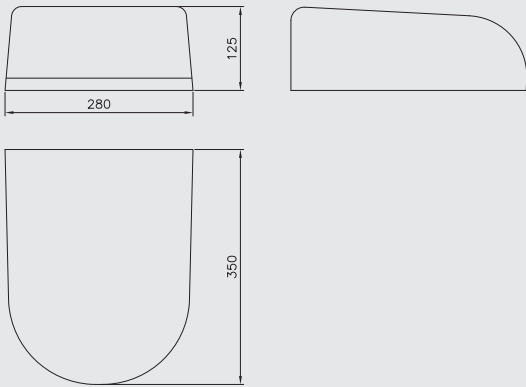


SS410

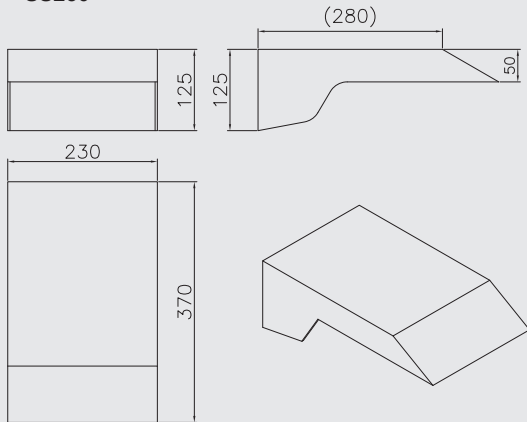


A090 : Sunshade type and typical size

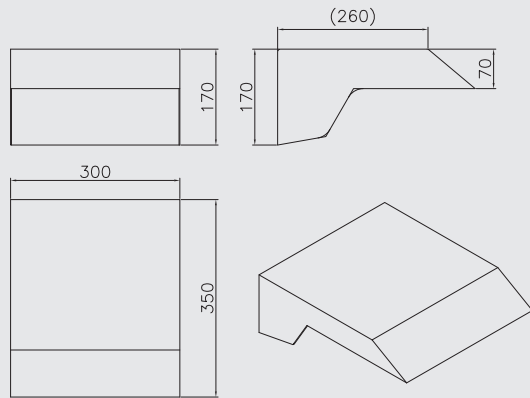
SS280, ABS only



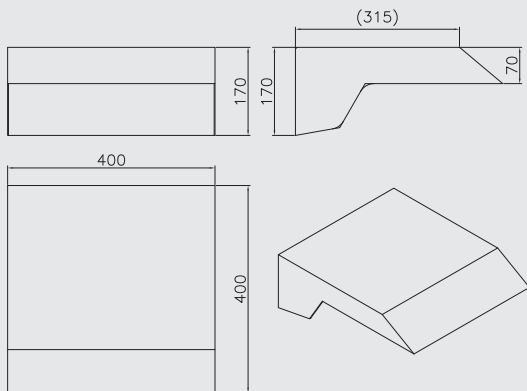
SS230



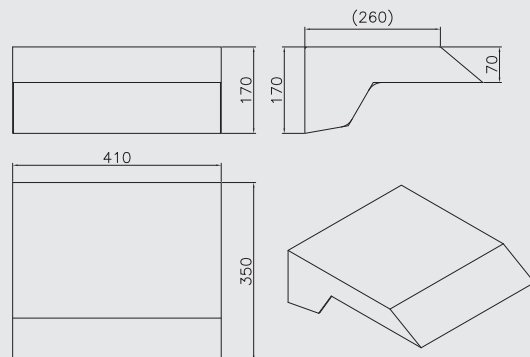
SS300



SS400



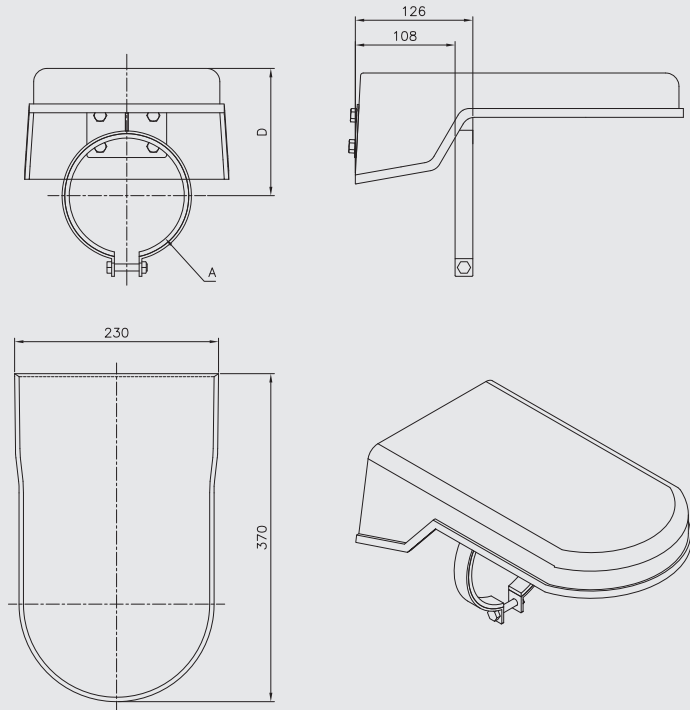
SS410



A090 : Bracket mounting position

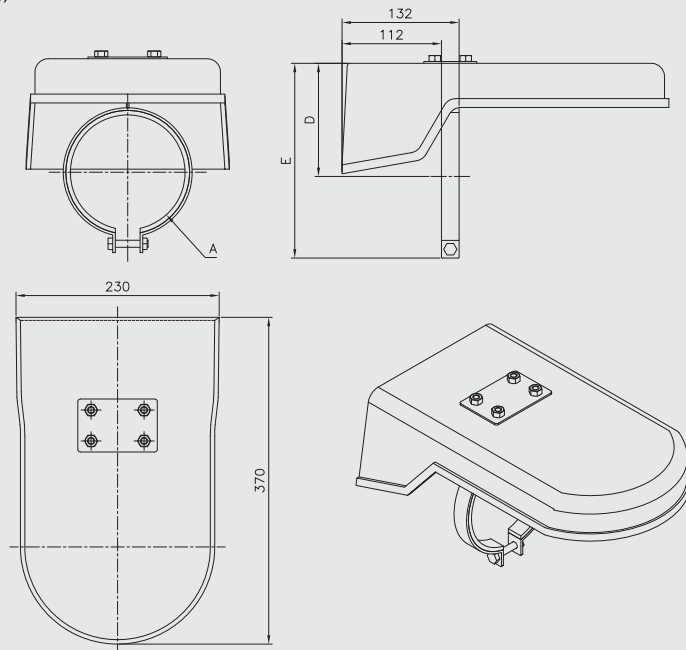
Back mounting

(Total weight \approx 1.5 kg)



Top mounting

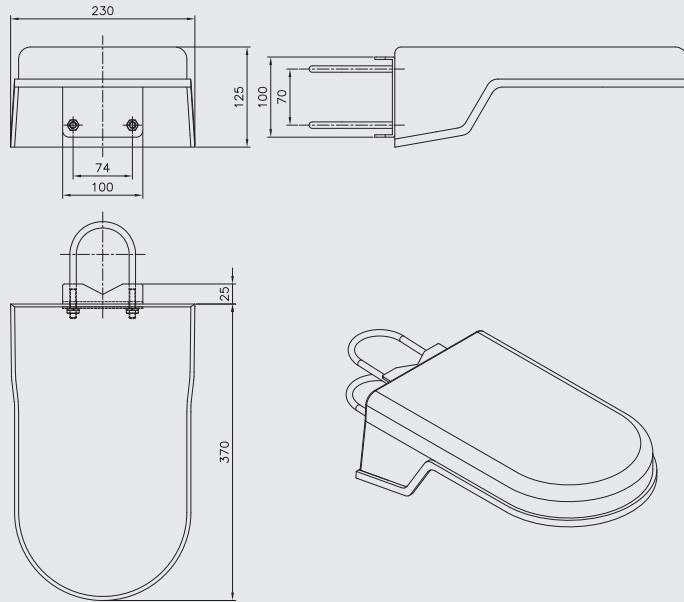
(Total weight \approx 1.55 kg)



A090 : Bracket mounting position

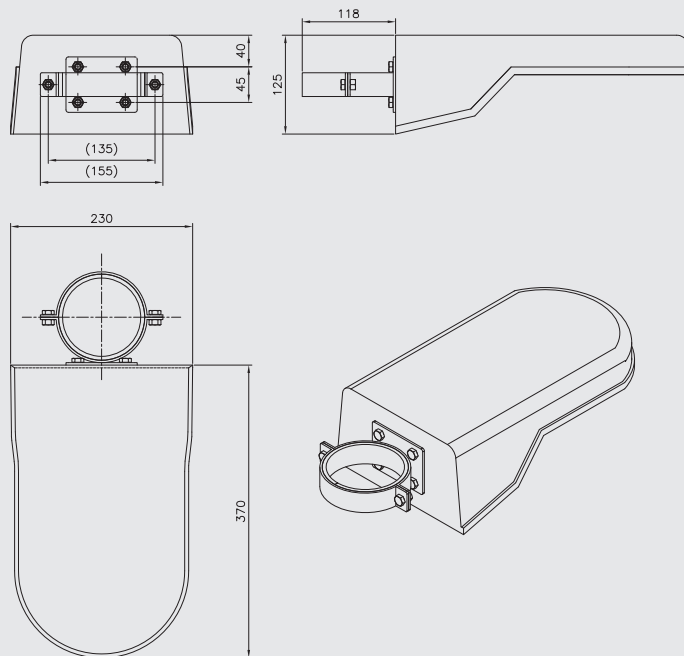
2" U bolt mounting

(Total weight \approx 1.57 kg)



Pipe band mounting

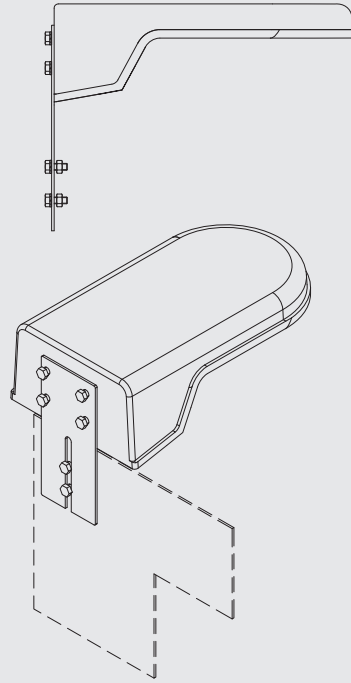
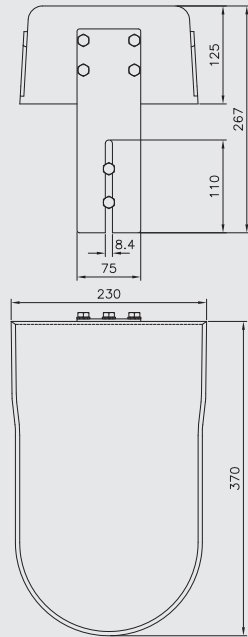
(Total weight \approx 1.5 kg)



A090 : Bracket mounting position

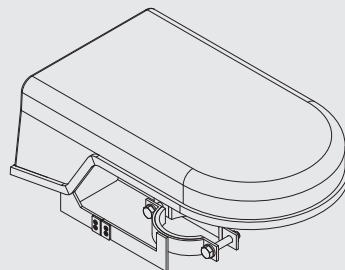
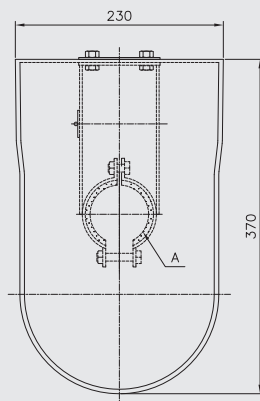
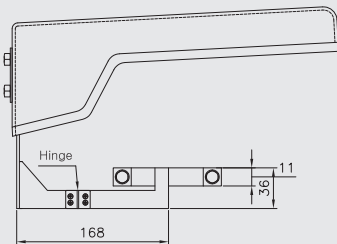
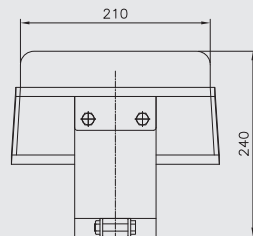
L-type fixed mounting

(Total weight \approx 1.5 kg)



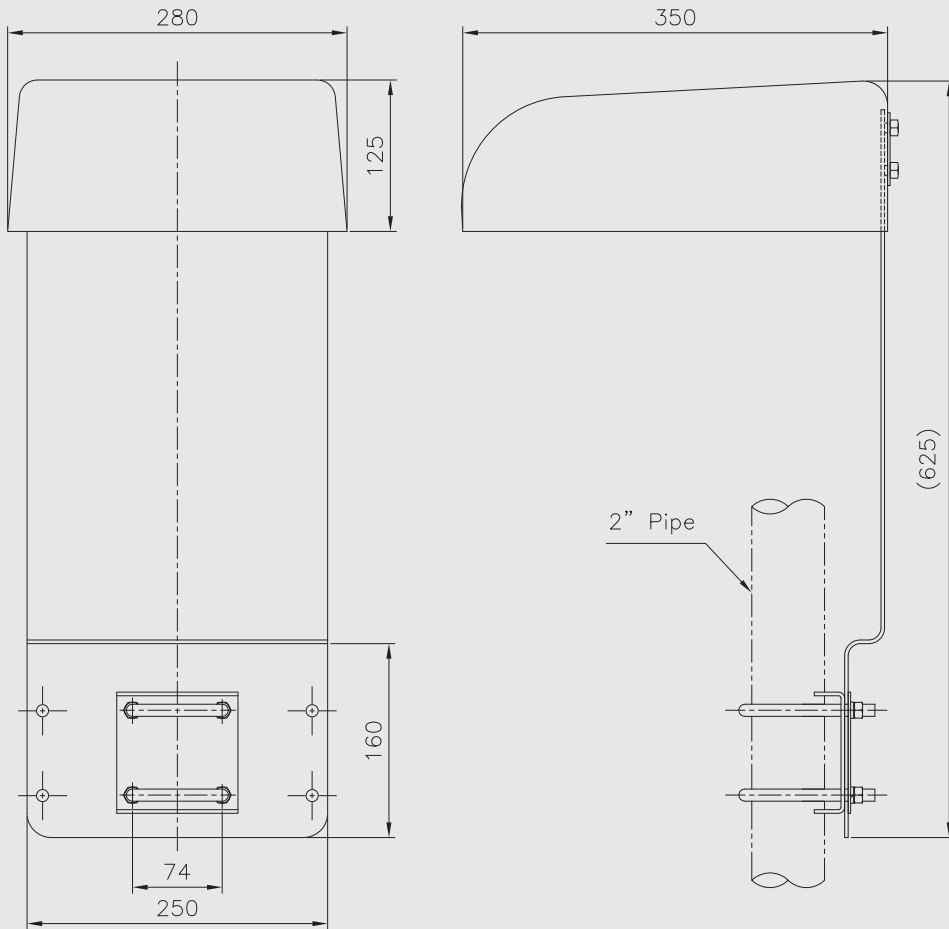
Special mounting

(Total weight \approx 2.2 kg)



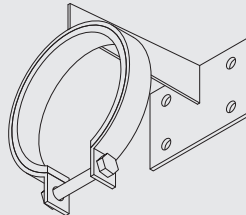
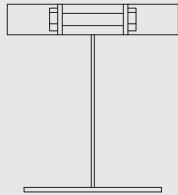
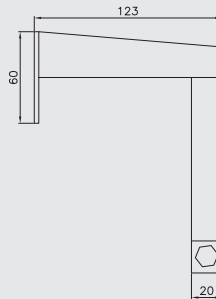
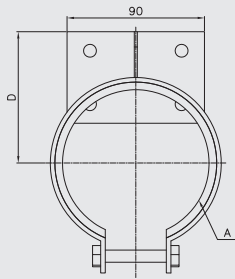
A090 : Bracket mounting position

Special 2" U bolt mounting
(Total weight ≈ 3.8 kg)



1. Gauge bracket

Back mounting

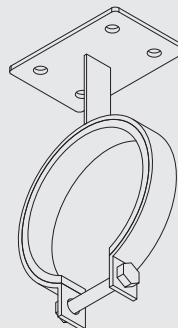
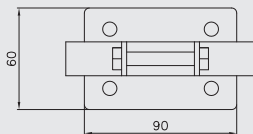
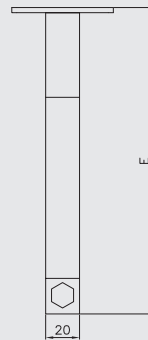
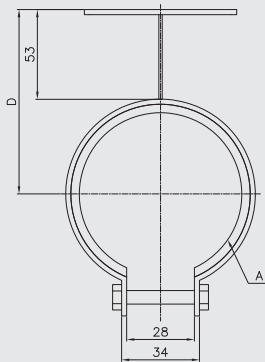


Unit : mm

No.	A	D ±2
1	Ø90	83
2	Ø93	84.5
3	Ø103	88
4	Ø130	103
5	Other	

A : Gauge bracket size

Top mounting

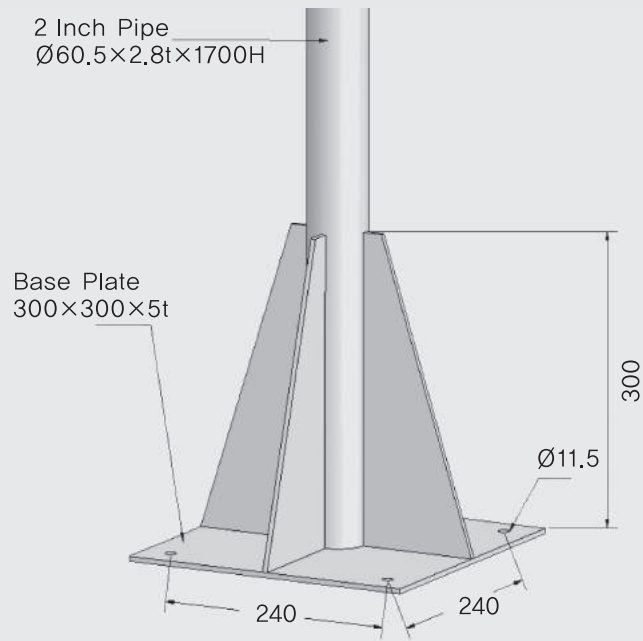


Unit : mm

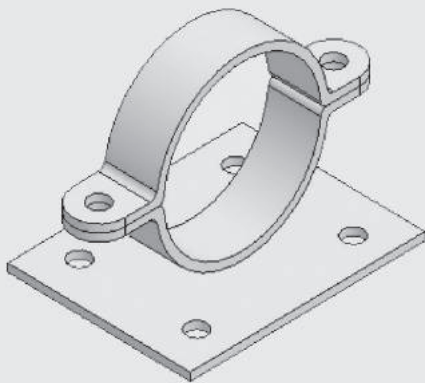
No.	A	D ±2	E ±2
1	Ø90	106	177
2	Ø93	107	180
3	Ø103	111	187
4	Ø130	126	217
5	Other		

A : Gauge bracket size

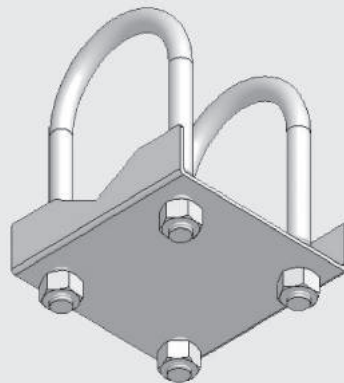
2. Pipe station



3. Pipe mounting bracket

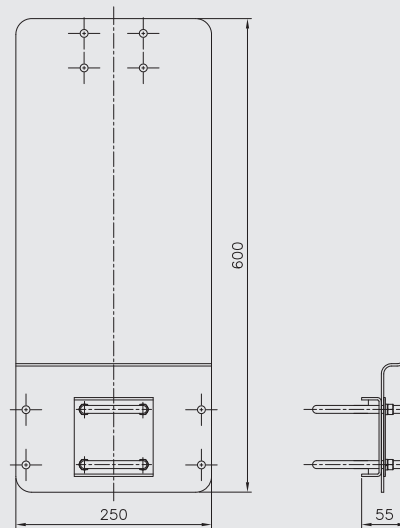


2" pipe band for mounting (PB)



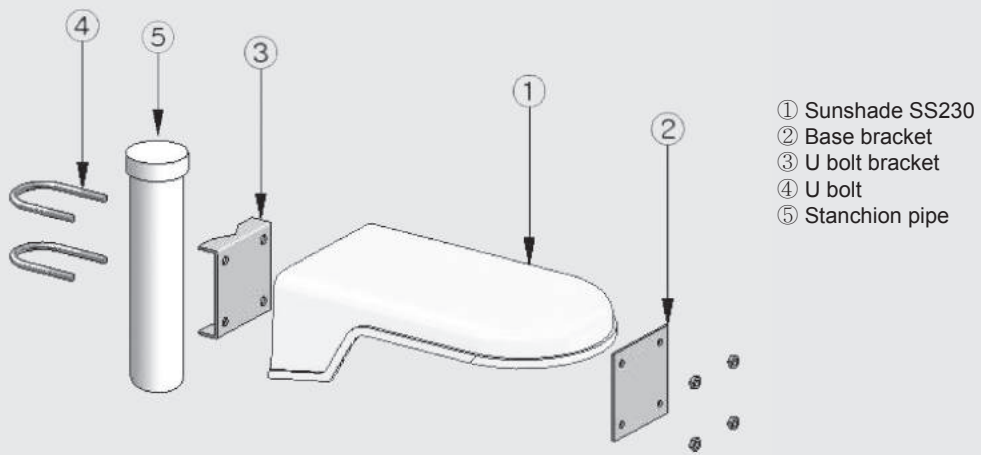
2" U-bolt type shackle for mounting (UB)

Special 2" U bolt bracket (Fe-Hot dip galvanized)



A090 : Mounting example

1. 2" U bolt mounting



2. Top mounting

